



**MITSUBISHI  
ELECTRIC**

REFRIGERANT  
R32/R410A

## **FLOOR TYPE AIR CONDITIONERS**

**MFZ-KT25VG**

**MFZ-KT35VG**

**MFZ-KT50VG**

**MFZ-KT60VG**

**Note:**

These models can be connected to the multi units, except for KT60.

**INSTALLATION MANUAL**

**English**

**TESİS ETME KILAVUZU**

**Türkçe**

<b>ENGLISH</b> English is original.	<b>CONTENTS</b>	<b>Model names are indicated in 1-3.</b>	
	1. BEFORE INSTALLATION.....	1	This installation manual describes only for the indoor unit. Refer to the MXZ type manual for outdoor unit set up.
	2. INDOOR UNIT INSTALLATION.....	4	
	3. FLARE CONNECTION, PIPE CONNECTION.....	8	
	4. TEST RUN.....	8	
5. PUMPING DOWN.....	9		

Required Tools for Installation	
Phillips screwdriver	Flare tool for R32, R410A
Level	Gauge manifold for R32, R410A
Scale	Vacuum pump for R32, R410A
Utility knife or scissors	Charge hose for R32, R410A
75 mm hole saw	Pipe cutter with reamer
Torque wrench	Water bottle
Wrench (or spanner)	0.9 to 1.0 L water

# 1. BEFORE INSTALLATION

## MEANINGS OF SYMBOLS DISPLAYED ON INDOOR UNIT AND/OR OUTDOOR UNIT

	<b>WARNING</b> (Risk of fire)	This unit uses a flammable refrigerant. If refrigerant leaks and comes in contact with fire or heating part, it will create harmful gas and there is risk of fire.
		Read the OPERATING INSTRUCTIONS carefully before operation.
		Service personnel are required to carefully read the OPERATING INSTRUCTIONS and INSTALLATION MANUAL before operation.
		Further information is available in the OPERATING INSTRUCTIONS, INSTALLATION MANUAL, and the like.

### 1-1. THE FOLLOWING SHOULD ALWAYS BE OBSERVED FOR SAFETY

- Be sure to read "THE FOLLOWING SHOULD ALWAYS BE OBSERVED FOR SAFETY" before installing the air conditioner.
- Be sure to observe the warnings and cautions specified here as they include important items related to safety.
- After reading this manual, be sure to keep it together with the OPERATING INSTRUCTIONS for future reference.

#### ⚠ **WARNING** (Could lead to death, serious injury, etc.)

- |   |  |  |
|---|--|--|
| <ul style="list-style-type: none"> <li>■ <b>Do not install the unit by yourself (user).</b><br/>Incomplete installation could cause fire or electric shock, injury due to the unit falling, or leakage of water. Consult the dealer from whom you purchased the unit or a qualified installer.</li> <li>■ <b>Perform the installation securely referring to the installation manual.</b><br/>Incomplete installation could cause fire or electric shock, injury due to the unit falling, or leakage of water.</li> <li>■ <b>When installing the unit, use appropriate protective equipment and tools for safety.</b><br/>Failure to do so could cause injury.</li> <li>■ <b>Install the unit securely in a place which can bear the weight of the unit.</b><br/>If the installation location cannot bear the weight of the unit, the unit could fall causing injury.</li> <li>■ <b>Electrical work should be performed by a qualified, experienced electrician, according to the installation manual. Be sure to use an exclusive circuit. Do not connect other electrical appliances to the circuit.</b><br/>If the capacity of the power circuit is insufficient or there is incomplete electrical work, it could result in a fire or an electric shock.</li> <li>■ <b>Earth the unit correctly.</b><br/>Do not connect the earth to a gas pipe, water pipe, lightning rod or telephone earth. Defective earthing could cause electric shock.</li> <li>■ <b>Do not damage the wires by applying excessive pressure with parts or screws.</b><br/>Damaged wires could cause fire or electric shock.</li> <li>■ <b>Be sure to cut off the main power in case of setting up the indoor P.C. board or wiring works.</b><br/>Failure to do so could cause electric shock.</li> <li>■ <b>Use the specified wires to connect the indoor and outdoor units securely and attach the wires firmly to the terminal block connecting sections so the stress of the wires is not applied to the sections. Do not extend the wires, or use intermediate connection.</b><br/>Incomplete connecting and securing could cause fire.</li> <li>■ <b>Do not install the unit in a place where flammable gas may leak.</b><br/>If gas leaks and accumulates in the area around the unit, it could cause an explosion.</li> <li>■ <b>Do not use intermediate connection of the power cord or the extension cord and do not connect many devices to one AC outlet.</b><br/>It could cause a fire or an electric shock due to defective contact, defective insulation, exceeding the permissible current, etc.</li> <li>■ <b>Be sure to use the parts provided or specified parts for the installation work.</b><br/>The use of defective parts could cause an injury or leakage of water due to a fire, an electric shock, the unit falling, etc.</li> </ul> | <ul style="list-style-type: none"> <li>■ <b>When plugging the power supply plug into the outlet, make sure that there is no dust, clogging, or loose parts in both the outlet and the plug. Make sure that the power supply plug is pushed completely into the outlet.</b><br/>If there is dust, clogging, or loose parts on the power supply plug or the outlet, it could cause electric shock or fire. If loose parts are found on the power supply plug, replace it.</li> <li>■ <b>Attach the electrical cover to the indoor unit and the service panel to the outdoor unit securely.</b><br/>If the electrical cover of the indoor unit and/or the service panel of the outdoor unit are not attached securely, it could result in a fire or an electric shock due to dust, water, etc.</li> <li>■ <b>When installing, relocating, or servicing the unit, make sure that no substance other than the specified refrigerant (R32/R410A) enters the refrigerant circuit.</b><br/>Any presence of foreign substance such as air can cause abnormal pressure rise and may result in explosion or injury. The use of any refrigerant other than that specified for the system will cause mechanical failure, system malfunction, or unit breakdown. In the worst case, this could lead to a serious impediment to securing product safety.</li> <li>■ <b>Do not alter the unit.</b><br/>It may cause fire, electric shock, injury or water leakage.</li> <li>■ <b>Do not discharge the refrigerant into the atmosphere. If refrigerant leaks during installation, ventilate the room. Check that the refrigerant does not leak after installation has been completed.</b><br/>If refrigerant leaks and comes in contact with fire or heating part of such a fan heater, kerosene heater, or cooking stove, it will create harmful gas. Provide ventilation in accordance with EN378-1.</li> <li>■ <b>Use appropriate tools and piping materials for installation.</b><br/>The pressure of R32/R410A is 1.6 times more than R22. Not using appropriate tools or materials and incomplete installation could cause the pipes to burst or injury.</li> <li>■ <b>When pumping down the refrigerant, stop the compressor before disconnecting the refrigerant pipes.</b><br/>If the refrigerant pipes are disconnected while the compressor is running and the stop valve is open, air could be drawn in and the pressure in the refrigeration cycle could become abnormally high. This could cause the pipes to burst or injury.</li> </ul> | <ul style="list-style-type: none"> <li>■ <b>When installing the unit, securely connect the refrigerant pipes before starting the compressor.</b><br/>If the compressor is started before the refrigerant pipes are connected and when the stop valve is open, air could be drawn in and the pressure in the refrigeration cycle could become abnormally high. This could cause the pipes to burst or injury.</li> <li>■ <b>Fasten a flare nut with a torque wrench as specified in this manual.</b><br/>If fastened too tight, a flare nut may break after a long period and cause refrigerant leakage.</li> <li>■ <b>The unit shall be installed in accordance with national wiring regulations.</b></li> <li>■ <b>When using a gas burner or other flame-producing equipment, completely remove all of the refrigerant from the air conditioner and ensure that the area is well-ventilated.</b><br/>If the refrigerant leaks and comes in contact in fire or heating part, it will create harmful gas and there is risk of fire.</li> <li>■ <b>Do not use means to accelerate the defrosting process or to clean, other than those recommended by the manufacturer.</b></li> <li>■ <b>The appliance shall be stored in a room without continuously operating ignition sources (for example: open flames, an operating gas appliance or an operating electric heater).</b></li> <li>■ <b>Do not pierce or burn.</b></li> <li>■ <b>Be aware that refrigerants may not contain an odour.</b></li> <li>■ <b>Pipe-work shall be protected from physical damage.</b></li> <li>■ <b>The installation of pipe-work shall be kept to a minimum.</b></li> <li>■ <b>Compliance with national gas regulations shall be observed.</b></li> <li>■ <b>Keep any required ventilation openings clear of obstruction.</b></li> <li>■ <b>Keep gas-burning appliances, electric heaters, and other fire sources (ignition sources) away from the location where installation, repair, and other air conditioner work will be performed.</b></li> <li>■ <b>The appliance shall be stored in a well-ventilated area where the room size corresponds to the room area as specified for operation.</b></li> <li>■ <b>Do not turn the breaker OFF except the case of burning smell, or when performing maintenance or inspection.</b><br/>The power cannot be supplied to the refrigerant sensor mounted in the indoor unit, and the sensor cannot detect the refrigerant leakage. This may cause a fire.</li> </ul> |
|---|--|--|

**⚠ CAUTION** (Could lead to serious injury in particular environments when operated incorrectly.)

- **Install an earth leakage breaker depending on the installation place.**  
If an earth leakage breaker is not installed, it could cause electric shock.
- **Perform the drainage/piping work securely according to the installation manual.**  
If there is defect in the drainage/piping work, water could drop from the unit, soaking and damaging household goods.
- **Do not touch the air inlet or the aluminum fins of the outdoor unit.**  
This could cause injury.
- **Do not install the outdoor unit where small animals may live.**  
If small animals enter and touch the electric parts inside the unit, it could cause a malfunction, smoke emission, or fire. Also, advise user to keep the area around the unit clean.
- **Do not operate the air conditioner during interior construction and finishing work, or while waxing the floor.**  
Before operating the air conditioner, ventilate the room well after such work is performed. Otherwise, it may cause volatile elements to adhere inside the air conditioner, resulting in water leakage or scattering of dew.
- **Do not install the unit in a place where smoke, gas, or chemicals may fill.**  
The refrigerant sensor mounted in the indoor unit may react to it, and display an error of refrigerant leakage.
- **Be careful of the fan rotation when the breaker is ON.**  
When the refrigerant sensor detects the refrigerant leakage, the fan starts rotating automatically. This may cause injury.

## 1-2. SELECTING THE INSTALLATION LOCATION

This manual only describes the installation of indoor unit.  
When installing the outdoor unit, refer to the installation manual of outdoor unit.

### INDOOR UNIT

**⚠ ⚠ WARNING**

**This unit should be installed in rooms which exceed the floor space specified in outdoor unit installation manual.**

- Refer to outdoor unit installation manual.
- Where airflow is not blocked.
- Where cool (or warm) air spreads over the entire room.
- Rigid wall without vibration.
- Where it is not exposed to direct sunshine. Do not expose to direct sunshine also during the period following unpacking to before use.
- Where easily drained.
- At a distance 1 m or more away from your TV and radio. Operation of the air conditioner may interfere with radio or TV reception. An amplifier may be required for the affected device.
- In a place as far away as possible from fluorescent and incandescent lights. In order to make the infrared remote control operate the air conditioner normally. The heat from the lights may cause deformation or the ultraviolet may cause deterioration.
- Where the air filter can be removed and replaced easily.
- Where it is away from the other heat or steam source.
- Do not install the unit in the environment where any gas equipment for propane, butane or methane, sprays such as bug killer, equipment which generates smoke, paint etc., and chemicals are used, or in the place where sulfur-based gas is generated.
- The refrigerant sensor mounted in the indoor unit may react to them, and display an error of refrigerant leakage. This may cause the unit not to operate.

### REMOTE CONTROLLER

- Where it is easy to operate and easily visible.
- Where children cannot touch it.
- Select a position about 1.2 m above the floor and check that signals from the remote controller are surely received by the indoor unit from that position ('beep' or 'beep beep' receiving tone sounds). After that, attach remote controller holder to a pillar or wall and install wireless remote controller.

**Note:**

In rooms where inverter type fluorescent lamps are used, the signal from the wireless remote controller may not be received.

**Note:**

Avoid the following places for installation where air conditioner trouble is liable to occur.

- Where flammable gas could leak.
- Where there is much machine oil.
- Where oil is splashed or where the area is filled with oily smoke (such as cooking areas and factories, in which the properties of plastic could be changed and damaged).
- Salty places such as the seaside.
- Where sulfide gas is generated such as hot spring, sewage, waste water.
- Where there is high-frequency or wireless equipment.
- Where there is emission of high levels of VOCs, including phthalate compounds, formaldehyde, etc., which may cause chemical cracking.
- The appliance shall be stored so as to prevent mechanical damage from occurring.

If connect to the outdoor unit that uses R32 refrigerant, install in a room with a floor area of Amin or more, corresponding to refrigerant M (factory-charged refrigerant + locally add refrigerant). For refrigerant quantity and additional refrigerant charge, refer to the outdoor unit.

M [kg]	Amin [m²]	
1.00	No requirements	
1.10		
1.20		
1.30		
1.40		
1.50		
1.60		
1.70		
1.80		
1.84		3.63
1.90		3.75
2.00		3.95
2.10		4.15
2.20		4.34
2.30	4.54	
2.40	4.74	

Refer to the installation manual of outdoor unit for refrigerant charge.

### 1-3. SPECIFICATIONS

Model	Power supply *1		Wire specifications *2	Pipe size (thickness *3, *4, *5, *6)		Insulation thickness *7,*8
	Rated Voltage	Frequency	Indoor/outdoor connecting wire	Gas	Liquid	
MFZ-KT25VG	230 V	50 Hz	4-core 2.0 mm <sup>2</sup>	ø9.52 mm (0.8 mm)	ø6.35 mm (0.8 mm)	14 mm
MFZ-KT35VG				ø12.7 mm (0.8 mm)		
MFZ-KT50VG				ø15.88 mm (0.8 mm)		
MFZ-KT60VG						

\*1 Connect to the power switch which has a gap of 3 mm or more when open to interrupt the source power phase. (When the power switch is shut off, it must interrupt all phases.)  
 \*2 Use wires in conformity with design 60245 IEC 57.  
 \*3 Never use pipes with thickness less than specified. The pressure resistance will be insufficient.

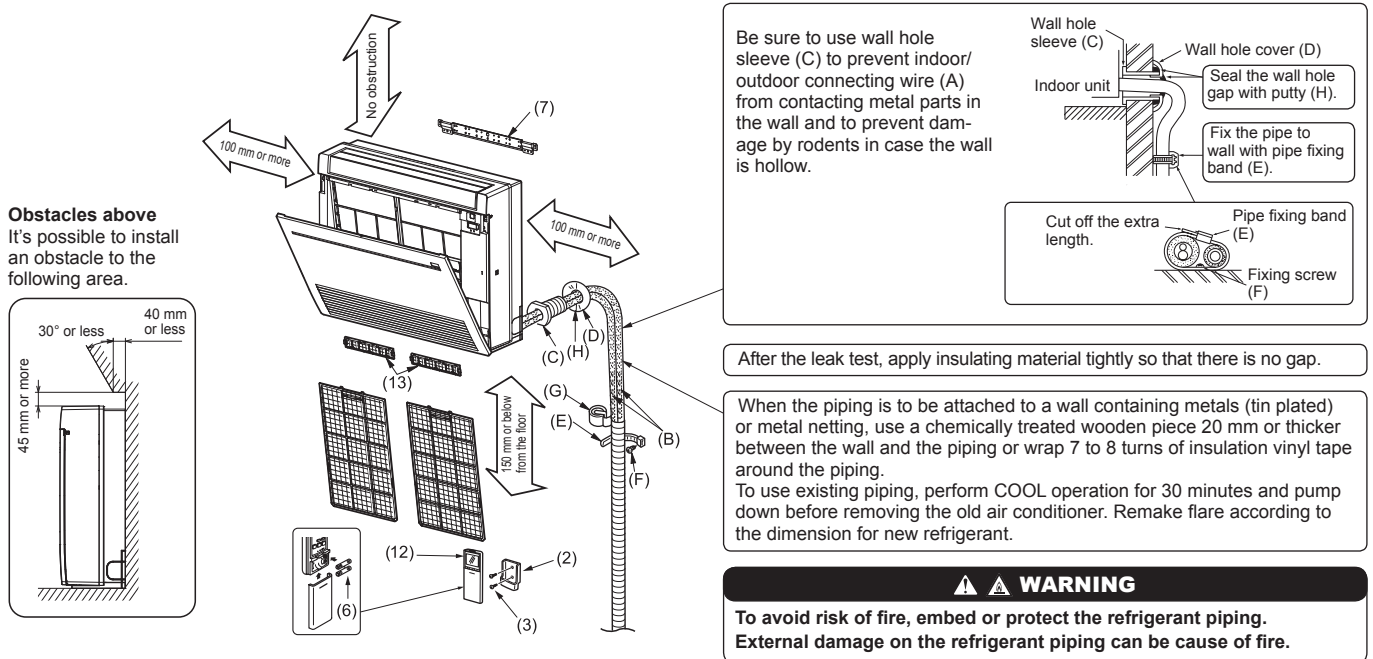
\*4 Use a copper pipe or a copper-alloy seamless pipe.  
 \*5 Be careful not to crush or bend the pipe during pipe bending.  
 \*6 Refrigerant pipe bending radius must be 100 mm or more.  
 \*7 Insulation material : Heat resisting foam plastic 0.045 specific gravity

\*8 Be sure to use the insulation of specified thickness. Excessive thickness may cause incorrect installation of the indoor unit and insufficient thickness may cause dew drippage.

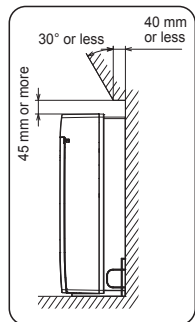
### 1-4. INSTALLATION DIAGRAM

When installing outdoor units, refer to the installation of outdoor units.

The piping specification table does not provide a minimum line set length. However, indoor units with connected piping length less than 3 m could produce intermittent noise during normal system operation in very quiet environments. Please be aware of this important information when installing and locating the indoor unit within the conditioned space.



**Obstacles above**  
 It's possible to install an obstacle to the following area.



Units should be installed by licensed contractor according to local code requirements.

#### ACCESSORIES

Check the following parts before installation.

(1) Drain hose*	1
(2) Remote controller holder	1
(3) Fixing screw for (2) 3.5 × 16 mm (Black)	2
(4) Pipe cover	1
(5) Band	2
(6) Battery (AAA) for (12)	2
(7) Indoor unit mounting bracket	1
(8) Fixing screw for (7) 4 × 25 mm	5
(9) Wood screw for indoor unit fixation	4
(10) Washer of (9)	4
(11) Felt tape (For left or left-rear piping)	1
(12) Wireless remote controller	1
(13) Air cleaning filter	2
(14) Joint pipe (KT60 only)	1
(15) Pipe cover for joint pipe (KT60 only)	1
(16) Breaker tag	1
(17) Breaker notice	1

\* Note:  
 The Drain hose is connected to the unit.

#### PARTS TO BE PROVIDED AT YOUR SITE

(A) Indoor/outdoor unit connecting wire*	1
(B) Extension pipe	1
(C) Wall hole sleeve	1
(D) Wall hole cover	1
(E) Pipe fixing band	2 to 5
(F) Fixing screw for (E) 4 × 20 mm	2 to 5
(G) Piping tape	1
(H) Putty	1
(J) Drain hose (or soft PVC hose, 15 mm inner dia. or hard PVC pipe VP16)	1 or 2
(K) Refrigeration oil	1
(L) Power supply cord*	1

\* Note:  
 Place indoor/outdoor unit connecting wire (A) and power supply cord (L) at least 1 m away from the TV antenna wire.

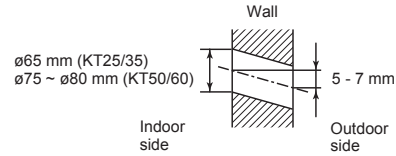
## 2. INDOOR UNIT INSTALLATION

### 2-1. FIXING OF INDOOR UNIT MOUNTING BRACKET

- Do not install the indoor unit at a place higher than 150 mm.
- Find a structural material (such as a stud) in the wall and fix bracket (7) horizontally with fixing screws (8).
- To prevent bracket (7) from vibrating, be sure to install the fixing screws in the holes indicated in the illustration. For added support, fixing screws may also be installed in other holes.

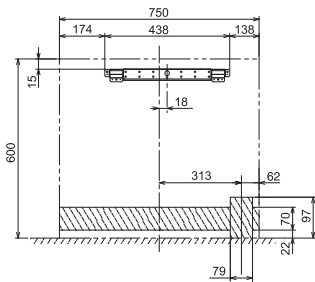
### 2-2. HOLE DRILLING

- 1) Determine the wall hole position.
- 2) Drill a dia. 65 mm hole (dia. 75 ~ 80 mm for KT50/60). The outdoor side should be 5 to 7 mm lower than the indoor side.
- 3) Insert wall hole sleeve (C).

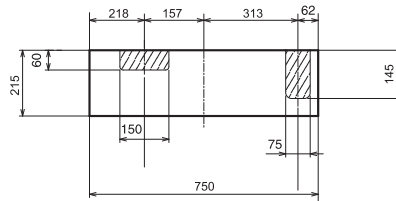


#### HOLE POSITIONS

**FOR REAR OR LEFT-REAR PIPING**  
(The following figure is a front view of the indoor unit installation location.)

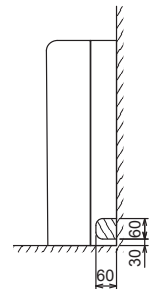
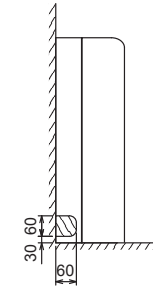


**FOR RIGHT DOWNWARD OR LEFT DOWNWARD PIPING**  
(The following figure is a view of the bottom of the indoor unit from above.)



**FOR LEFT PIPING**

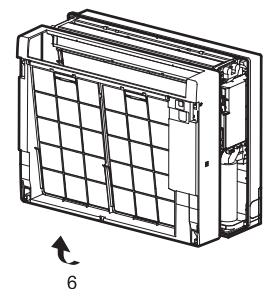
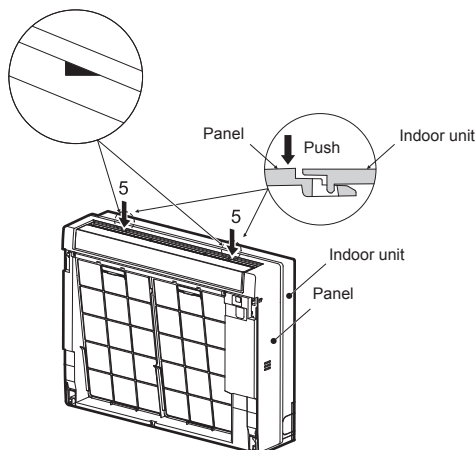
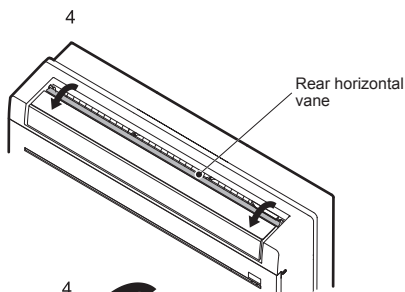
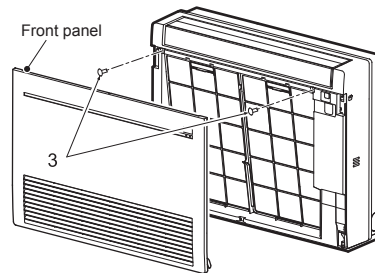
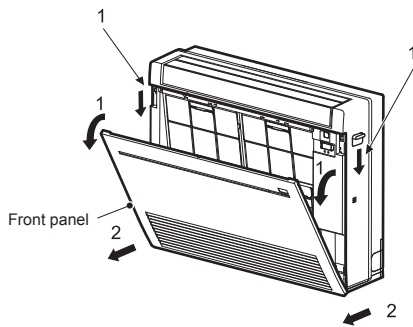
**FOR RIGHT PIPING**



### 2-3. INDOOR UNIT PREPARATION

Remove the front panel of the indoor unit.

- 1) Push down the tab on the both sides of the unit to open the front panel.
- 2) Pull the front panel toward you to remove it.
- 3) Remove the 2 screws.
- 4) Open the rear horizontal vane.
- 5) Push the 2 locations on the top of the panel, and then pull the upper part of the panel toward you.
- 6) Remove the panel while lifting it up (slightly).



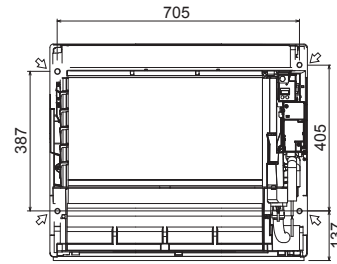
## 2-4. INDOOR UNIT INSTALLATION

### 2-4-1. INSTALLING THE INDOOR UNIT ON THE FLOOR

- 1) Place the indoor unit on the flat floor.
- 2) Fix the indoor unit at 4 points with the included wood screws (9) and washers (10). Tighten the screws securely.

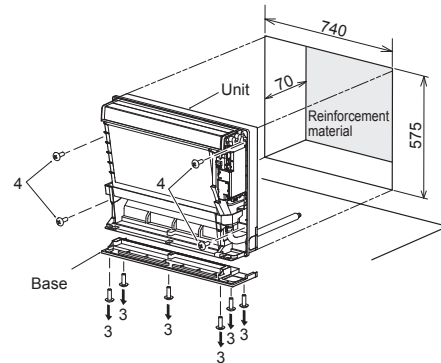
### 2-4-2. MOUNTING THE INDOOR UNIT ON THE WALL

- 1) Hook the top of the indoor unit on the indoor unit mounting bracket (7).
- 2) Fix the indoor unit at 4 points with the included wood screws (9) and washers (10). Tighten the screws securely.



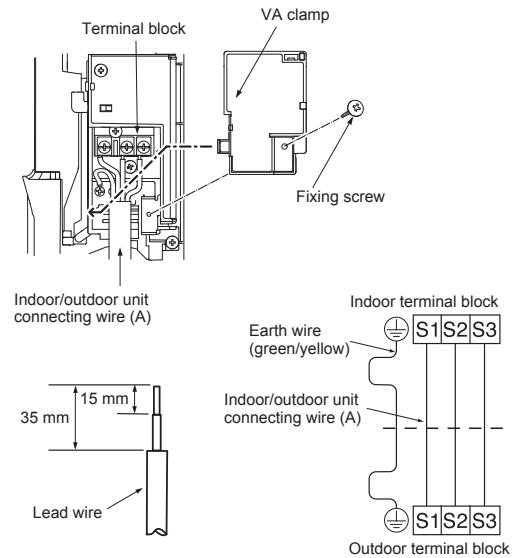
### 2-4-3. EMBEDDING THE INDOOR UNIT IN A WALL

- 1) Make a hole in the wall.
- 2) Using reinforcement material, adjust the depth.
- 3) Remove 6 screws that fix the base to the unit. Remove the base from the unit.
- 4) Fix the indoor unit at 4 points with the included wood screws (9) and washers (10). Tighten the screws securely.



## 2-5. CONNECTING WIRES FOR INDOOR UNIT

- 1) Remove VA clamp.
- 2) Pass indoor/outdoor unit connecting wire (A) from the back of the indoor unit and process the end of the wire.
- 3) Loosen terminal screw, and connect first the earth wire, then indoor/outdoor unit connecting wire (A) to the terminal block. Be careful not to make mis-wiring. Fix the wire to the terminal block securely so that no part of its core is appeared, and no external force is conveyed to the connecting section of the terminal block.
- 4) Firmly tighten the terminal screws to prevent them from loosening. After tightening, pull the wires lightly to confirm that they do not move.
- 5) Secure indoor/outdoor unit connecting wire (A) and the earth wire with the VA clamp. Never fail to hook the left claw of the VA clamp. Attach the VA clamp securely.



- Make earth wire a little longer than others. (More than 45 mm)
- For future servicing, give extra length to the connecting wires.
- Do not fold the excess wire, or cram it into small space. Take caution not to damage the wires.
- Be sure to attach each screw to its correspondent terminal when securing the cord and/or the wire to the terminal block.

### ⚠ WARNING

When installing the unit, securely connect the refrigerant pipes before starting the compressor.

## 2-6. PIPE FORMING AND INSTALLATION

**Note:** Refer to 3. FLARE CONNECTION, PIPE CONNECTION.

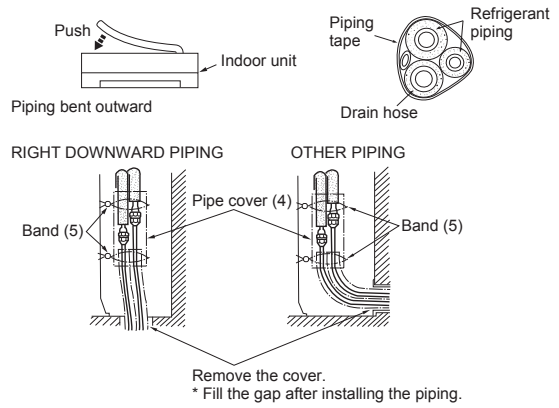
### Pipe Forming

- Route the drain hose diagonally below the connecting pipes.
- Make sure that the drain hose is not routed upward and that there are no waves in the hose.
- Do not pull the hose when applying the tape.
- Route the piping so that it does not project past the rear of the indoor unit. (Refer to the figure to the right.)

### Connecting Pipe Installation

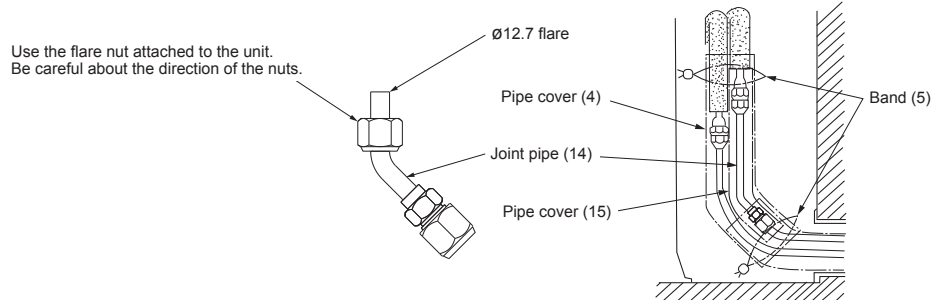
- Install the connecting pipes so that the piping can move slightly to the front, back, left, and right.
- When the cover is removed, be sure to cover the pipes so that no piping is exposed to the room after installing the piping.
- Fill the gap after installing the piping.

- Be sure to insulate the connecting pipes so that they do not contact the panel.
- Be careful not to crush the connecting pipes when bending them.



### For MFZ-KT60

- Be sure to use the joint pipe (14), otherwise the extension pipe of  $\phi 15.88$  cannot be fixed.
- Flare the joint pipe (14) to  $\phi 12.7$ , and attach the pipe cover (15).



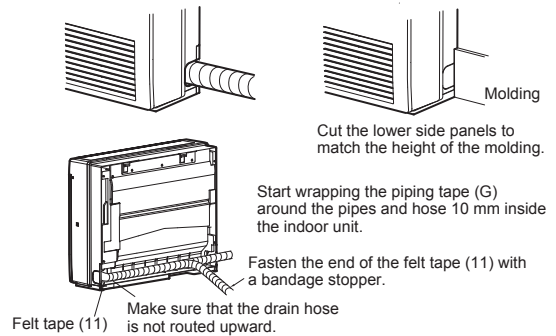
### FOR LEFT OR LEFT-REAR PIPING

Bundle the connecting pipes and drain hose together, and then wrap them in felt tape (11).

Cut and use the lower side panels on the left and right sides of the indoor unit as shown below. Smooth the cut edges of the side panels so that they will not damage the insulation coating.

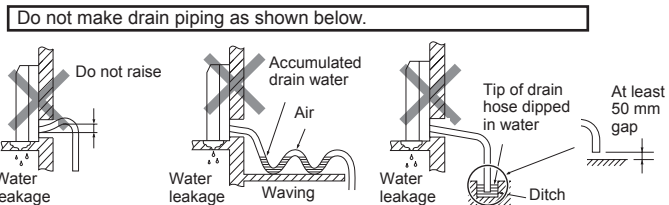
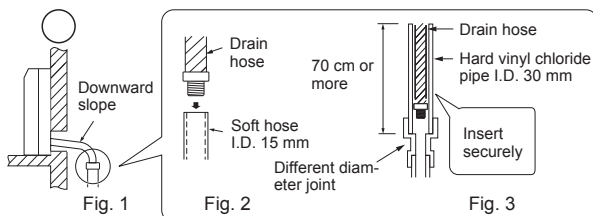
- For left or right piping
- Installing flush against a wall with molding

Wrap the felt tape (11) tightly around the pipes and hose starting near where the pipes and hose are routed from the indoor unit. (The overlap width of the felt tape (11) should not be more than 1/2 of the tape width.)



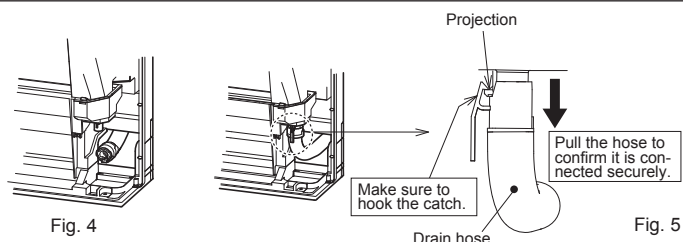
## 2-7. DRAIN PIPING

- If the extension drain hose has to pass through a room, be sure to wrap it with commercially sold insulation.
- The drain hose should point downward for easy drain flow. (Fig. 1)
- If the drain hose provided with the indoor unit is too short, connect it with drain hose (J) that should be provided at your site. (Fig. 2)
- When connecting the drain hose to the hard vinyl chloride pipe, be sure to insert it securely into the pipe. (Fig. 3)



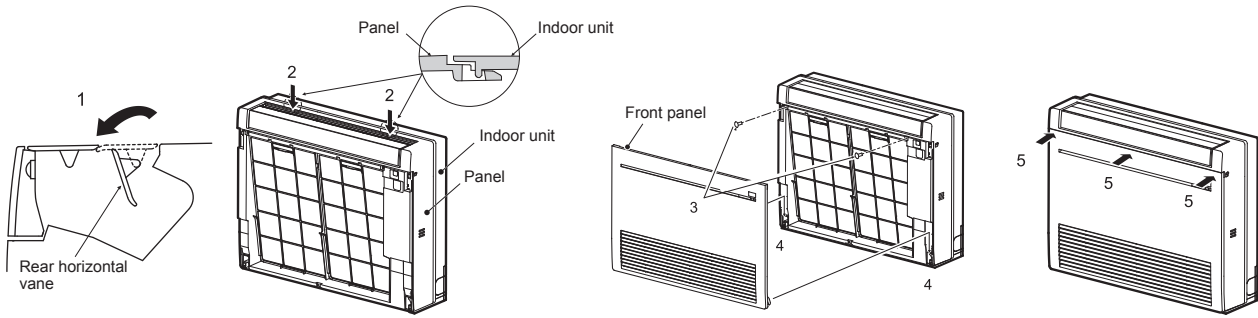
### The Drain hose is removed at installation.

- When routing the drain piping, make sure that the drain hose (1) is routed as shown. (Fig. 4)
- Insert the drain hose all the way to the base of the drain pan (end connection). (Fig. 5) Make sure that the catch of the drain hose is securely hooked onto the projection on the hose fitting of the drain pan.
- After connecting the drain hose, be sure to pull the hose to confirm that it is connected securely.



## 2-8. FRONT PANEL INSTALLATION

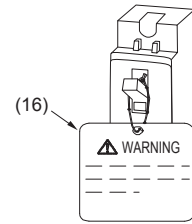
- 1) Open the rear horizontal vane.
- 2) Attach the panel. Make sure that the catches are engaged.
- 3) Fix the panel with screws.
- 4) Insert the bottom part of the front panel.
- 5) Push 3 places on the upper part of the front panel to close it.



## 2-9. HOW TO ATTACH THE LABEL AND THE EXPLANATION

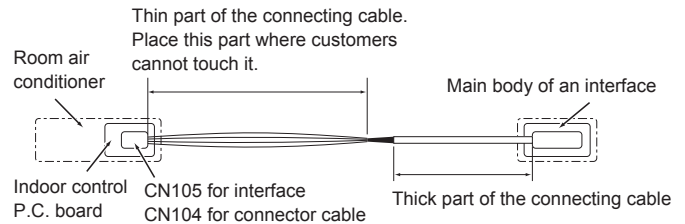
The breaker must be always ON except when performing maintenance or inspection. Hang the accompanying label (16) or (17) on the breaker, and explain it to customers. When turning the breaker OFF, the power is not supplied to the refrigerant sensor mounted in the indoor unit, and the refrigerant leakage cannot be detected.

Note: When the wiring is separate indoor unit/outdoor unit power supplies, hang the accompanying label (16) or (17) on the breaker of indoor unit side, and explain it to customers.



## 2-10. CONNECTING AN INTERFACE (option)/CONNECTOR CABLE (option) TO THE AIR CONDITIONER

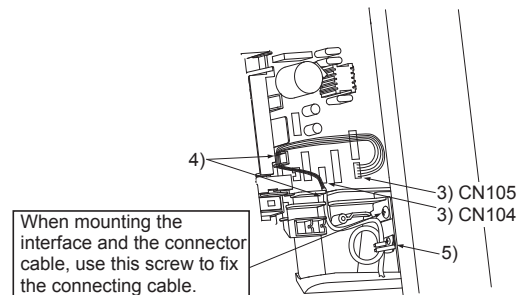
- Connect an interface/connector cable to the indoor control P.C. board of an air conditioner with a connecting cable.
- Cutting or extending the connecting cable of the interface/connector cable results in defects in connecting. Do not bundle the connecting cable together with power supply cord, indoor/outdoor connecting wire, and/or earth wire. Keep as much distance as possible between the connecting cable and those wires.
- The thin part of the connecting cable should be stored and placed where customers cannot touch it.



- 1) Remove the panel.
- 2) Open the cover of the indoor control P.C. board.
- 3) Join the connecting cable to CN105 and/or CN104 on the indoor control P.C. board.
- 4) Route the connecting cable through this point in the figure.
- 5) Attach the cable clamp provided with interface/connector cable to the thick part of the connecting cable with a screw 4×16 as shown in the figure.
- 6) Close the cover of the indoor control P.C. board. Be careful not to catch the thin part of the connecting cable in the cover. Reinstall the panel.

### ⚠ WARNING

Fix the connecting cable at the prescribed position securely. Incorrect installation may cause electric shock, fire, and/or malfunction.



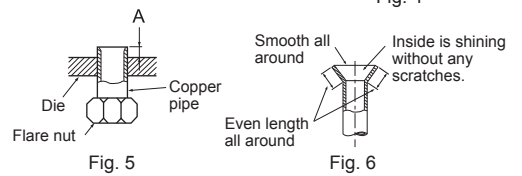
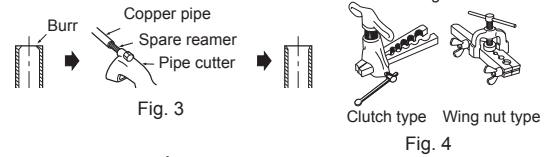
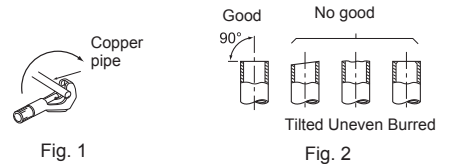


### 3. FLARE CONNECTION, PIPE CONNECTION

#### 3-1. FLARING WORK

- Cut the copper pipe correctly with pipe cutter. (Fig. 1, 2)
- Completely remove all burrs from the cut cross section of pipe. (Fig. 3)
  - Put the end of the copper pipe to downward direction as you remove burrs in order to avoid to let burrs drop in the piping.
- Remove flare nuts attached to indoor and outdoor units, then put them on pipe having completed burr removal. (Not possible to put them on after flaring work.)
- Flaring work (Fig. 4, 5). Firmly hold copper pipe in the dimension shown in the table. Select A mm from the table according to the tool you use.
- Check
  - Compare the flared work with Fig. 6.
  - If flare is noted to be defective, cut off the flared section and do flaring work again.

Pipe diameter (mm)	Nut (mm)	A (mm)			Tightening torque	
		Clutch type tool for R32, R410A	Clutch type tool for R22	Wing nut type tool for R22	N·m	kgf·cm
ø6.35 (1/4")	17	0 to 0.5	1.0 to 1.5	1.5 to 2.0	13.7 to 17.7	140 to 180
ø9.52 (3/8")	22			34.3 to 41.2	350 to 420	
ø12.7 (1/2")	26			2.0 to 2.5	49.0 to 56.4	500 to 575
ø15.88 (5/8")	29			-	73.5 to 78.4	750 to 800

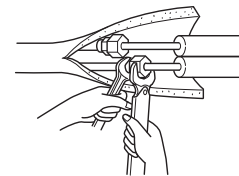


#### 3-2. PIPE CONNECTION

- Fasten flare nut with a torque wrench as specified in the table.
- When fastened too tight, flare nut may break after a long period and cause refrigerant leakage.
- Be sure to wrap insulation around the piping. Direct contact with the bare piping may result in burns or frostbite.

##### Indoor unit connection

- Connect both liquid and gas pipings to indoor unit.
- Apply a thin coat of refrigeration oil (K) on the flared ends of the pipes. Do not apply refrigeration oil on screw threads. Excessive tightening torque will result in damage on the screw.
- For connection, first align the center, then tighten the first 3 to 4 turns of flare nut.
- Use tightening torque table above as a guideline for indoor unit side union joint section, and tighten using two wrenches.



**⚠ WARNING**  
When installing the unit, securely connect the refrigerant pipes before starting the compressor.

##### ⚠ WARNING

Reusable mechanical connectors and flared joints are not allowed indoors. When connecting the refrigerant piping by brazing, rather than using flare connections, complete all brazing prior to connecting indoor unit to outdoor unit.

### 4. TEST RUN

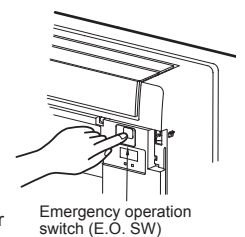
#### 4-1. TEST RUN

Make sure the following is done.

- Panel is installed correctly.
  - Indoor and outdoor units are installed correctly, and power is supplied.
- Press the E.O. SW once for COOL, and twice for HEAT operation. Test run will be performed for 30 minutes. If the left lamp of the operation indicator blinks every 0.5 seconds, inspect the indoor/outdoor unit connecting wire (A) for mis-wiring. After the test run, emergency mode (set temperature 24°C) will start.
  - To stop operation, press the E.O. SW several times until all LED lamps turn off. Refer to operating instructions for details.

##### Checking the remote (infrared) signal reception

- Press the ON/OFF button on the remote controller (12) and check that an electronic sound is heard from the indoor unit. Press the ON/OFF button again to turn the air conditioner off.
- Once the compressor stops, the restart preventive device operates so the compressor will not operate for 3 minutes to protect the air conditioner.



#### 4-2. AUTO RESTART FUNCTION

This product is equipped with an auto restart function. When the power supply is stopped during operation, such as during blackouts, the function automatically starts operation in the previous setting once the power supply is resumed. (Refer to the operating instructions for details.)

##### Caution:

- After test run or remote signal reception check, turn off the unit with the E.O. SW or the remote controller before turning off the power supply. Not doing so will cause the unit to start operation automatically when power supply is resumed.

##### To the user

- After installing the unit, make sure to explain the user about auto restart function.
- If auto restart function is unnecessary, it can be deactivated. Consult the service representative to deactivate the function. Refer to the service manual for details.

#### 4-3. EXPLANATION TO THE USER

- Using the OPERATING INSTRUCTIONS, explain to the user how to use the air conditioner (how to use the remote controller, how to remove the air filters, how to remove or put the remote controller in the remote controller holder, how to clean, precautions for operation, etc.)
- Recommend the user to read the OPERATING INSTRUCTIONS carefully.

## 5. PUMPING DOWN

Refer to the procedures indicated in the installation manual of the outdoor unit.

### **WARNING**

When pumping down the refrigerant, stop the compressor before disconnecting the refrigerant pipes. The compressor may burst if air etc. get into it.

## İÇİNDEKİLER

1. TESİS ETME İŞLEMİNDEN ÖNCE.....	1
2. İÇ ÜNİTENİN TESİSİ.....	4
3. DIŞLI BAĞLANTI, BORU BAĞLANTISI.....	8
4. TEST ÇALIŞTIRMASI.....	8
5. AŞAĞI POMPALAMA.....	9

## Model adları 1-3'te belirtilmiştir.

Bu kılavuzda yalnızca iç ünitenin tesisi açıklanmaktadır. Dış ünitenin kurulumu için MXZ tipi kılavuza bakın.

## Tesis Etme İşlemi İçin Gerekli Aletler

Yıldız tornavida	R32, R410A için geçmeli alet
Seviye	R32, R410A için manometre manifoldu
Ölçek	R32, R410A için vakum pompası
Bıçak ya da makas	R32, R410A için doldurma hortumu
75 mm delikli testere	Raybalı boru kesici
Tork anahtarı	Su şişesi
Anahtar (ya da somun anahtarı)	0,9 - 1,0 L su

## 1. TESİS ETME İŞLEMİNDEN ÖNCE

## İÇ VE DIŞ ÜNİTE ÜZERİNDE KULLANILAN SEMBOLLERİN ANLAMLARI

	<b>UYARI</b> (Yangın tehlikesi)	Bu ünitenin kullandığı soğutucu madde yanıcıdır. Soğutucu madde sızarak ateş veya sıcak parçalarla temas ederse zararlı gazlar ortaya çıkar ve yangın tehlikesi oluşur.
		Bu ürünü kullanmaya başlamadan önce ÇALIŞTIRMA TALİMATLARI dokümanını dikkatlice okuyun.
		Servis personelinin çalıştırma öncesinde ÇALIŞTIRMA TALİMATLARI ve MONTAJ KILAVUZU dokümanlarını okuması zorunludur.
		Daha fazla bilgi ÇALIŞTIRMA TALİMATLARI, MONTAJ KILAVUZU ve benzeri dokümanlarda bulunabilir.

## 1-1. VERİLEN BİLGİLER GÜVENLİK İÇİN DİKKATLE GÖZDEN GEÇİRİLMELİDİR

- Klima cihazını tesis etmeden önce "VERİLEN BİLGİLER GÜVENLİK İÇİN DİKKATLE GÖZDEN GEÇİRİLMELİDİR" kısmını dikkatlice okuyunuz.
- Güvenliğinizle çok yakından ilgili olmasından dolayı uyarı ve dikkat kısımlarını gözden geçiriniz.
- Bu kılavuzu okuduktan sonra daha sonra başvurmak üzere İŞLETME TALİMATLARIYLA birlikte saklayınız.

## ⚠ UYARI (Ölüm veya ağır yaralanma uyarısını gösterir.)

- Üniteyi kendiniz (satın alıcı) tesis etmeyiniz.**  
Eksik kurulum, ünitenin düşmesi veya su sızıntısı nedeniyle yangın, elektrik şoku veya yaralanmaya neden olabilir. Klimayı satın aldığınız bayiye veya yetkili bir tesisatçıya başvurunuz.
- Tesis etme işlemini yaparken tesis etme kılavuzuna başvurunuz.**  
Eksik kurulum, ünitenin düşmesi veya su sızıntısı nedeniyle yangın, elektrik şoku veya yaralanmaya neden olabilir.
- Üniteyi monte ederken, güvenlik için uygun koruyucu ekipman ve aletleri kullanın.**  
Bunun yapılmaması yaralanmaya sebebiyet verebilir.
- Üniteyi, ünitenin ağırlığını taşıyabilecek sağlam yapıyı yerlere tesis ediniz.**  
Ünitenin tesis edileceği yer ünitenin ağırlığını taşıyamıyorsa, ünite düşebilir ve yaralanmaya neden olabilir.
- Elektrikle ilgili çalışmaların montaj kılavuzuna göre kalifiye ve deneyimli bir elektrikli tarafından yapılması gerekir. Özel bir devre kullandığınızdan emin olun. Devreye başka elektrikli cihaz bağlamayınız.**  
Devrenin kapasitesi yetmiyorsa veya elektrikle ilgili çalışmalarda bir hata varsa bu yangına veya elektrik çarpmasına sebep olabilir.
- Üniteyi doğru biçimde topraklayın.**  
Topraklama kablosunu doğal gaz borusuna, su borusuna, paratonere veya yeraltı telefon hattına bağlamayınız. Hatalı topraklama elektrik çarpmasına sebep olabilir.
- Parçalar veya vidalarla aşırı basınç uygulayarak kabloları zarar vermeyin.**  
Hasarlı kablolar yangın ya da elektrik çarpmasına neden olabilir.
- Eğer iç ünite P.C. panosu ya da kablo şebekesi kuruyorsanız, elektriği ana şalterden kapatınız.**  
Aksi halde elektrik çarparabilir.
- İç ve dış ünite kablo bağlantılarını güvenli şekilde yapmak için belirtilen kablo tiplerini kullanın ve kablo uçlarını olabilecek durumlarda yuvalarından çıkmamaları için terminal yatağındaki yerlerine sıkıca bağlayınız. Kabloları uzatmayın veya ara bağlantı kullanmayın.**  
Hatalı bağlantılar ve sabitleme yangına sebep olabilir.
- Üniteyi yanıcı gaz sızıntısı olabilecek yerlere tesis etmeyiniz.**  
Sızan gazların klima etrafında toplanması sonucunda bir patlama meydana gelebilir.
- Güç kablosunu orta yerinden kesip uzatma yapmayınız veya uzatma kablosu kullanmayınız ya da aynı AC çıkışında birden fazla cihaz kullanmayınız.**  
Hatalı bağlantı ve hatalı izolasyon sonucu voltajın düşmesi veya artması ile yangın veya elektrik çarpması meydana gelebilir.
- Klimanın tesisi sırasında verilen veya belirtilen parçaları kullandığınızdan emin olunuz.**  
Yanlış parça kullanma sonucunda su sızıntısı, yangın, elektrik çarpması, ünitenin düşmesi sonucu yaralanma gibi sonuçlar doğabilir.
- Güç kaynağını prize takarken fiş ve prizde toz, tıkanma ya da gevşek parça olmamasına dikkat ediniz. Güç kaynağı fişinin prize iyice girdiğinden emin olunuz.**  
Güç kaynağı fişinde ya da prizde toz, tıkanma ya da gevşek parça olması durumunda elektrik çarparabilir ya da yangın çıkabilir. Güç kaynağı fişinde gevşek parça varsa, fişi değiştirin.
- İç ünitenin elektrik devre kapağını takınız ve dış ünitenin servis kapağını sıkıca kapatınız.**  
İç ünitenin elektrik devre kapağını veya dış ünitenin servis kapağını sıkıca kapatılmadığı durumlarda toz ve su gibi maddeler sebebi ile yangın veya elektrik çarpmaları meydana gelebilir.
- Üniteyi kurarken, konumunu değiştirirken ya da bakımını yaparken soğutucu devresine belirtilen soğutucudan (R32/R410A) başka bir madde girmemesine dikkat ediniz.**  
Hava gibi yabancı maddelerin bulunması, normal olmayan basınç artışına neden olabilir ve patlama ya da yaralanmaya neden olabilir. Sistemde belirtilenin haricinde soğutma sıvılarının kullanılması mekanik arızaya, sistem arızasına ya da ünitenin bozulmasına neden olacaktır. En kötüsü ise, bu durum ürün güvenliğinin sağlanmasına ciddi şekilde zarar verecektir.
- Ünitede değişiklik yapmayın.**  
Yangına, elektrik çarpmasına, yaralanmaya veya su sızıntısına neden olabilir.
- Soğutucuyu atmosfere boşaltmayın. Tesis etme işlemi sırasında soğutucu gaz sızıntı yaparsa, odayı havalandırın. Tesis etme işlemi bittikten sonra soğutucu sızıntısı olup olmadığını kontrol edin.**  
Soğutucu madde sızarak fanlı ısıtıcı, gazyağı kullanan ısıtıcı veya ocak gibi cihazların sıcak parçalarıyla temas ederse zararlı gazlar ortaya çıkar. EN378-1'e göre havalandırma sağlayın.
- Tesis etme işleminde uygun aletler ve boruları kullanınız.**  
R32/R410A'nın basıncı R22'ye göre 1,6 kez daha fazladır. Uygun aletleri ya da malzemeleri kullanmıyorsanız ve tesis etme işlemi tamamlanmamışsa borular patlayabilir ya da yaralanma meydana gelebilir.
- Soğutucu gazı pompalarken, soğutucu borularını sökmeden önce kompresörü durdurun.**  
Soğutucu gaz boruları kompresör çalışırken ve kesme vanası açıkken sökülürse, hava içeriye girebilir ve soğutma döngüsü içindeki hava anormal derecede yükselebilir. Bu boruların patlamasına ya da yaralanmalara neden olabilir.
- Üniteyi tesis ederken, soğutucu borularını kompresörü çalıştırmadan önce sağlam şekilde bağlayınız.**  
Kompresör soğutucu gaz boruları bağlanmadan önce ve kesme vanası açıkken çalıştırılırsa, hava içeriye girebilir ve soğutma döngüsü içindeki hava anormal derecede yükselebilir. Bu boruların patlamasına ya da yaralanmalara neden olabilir.
- Bu el kitabında belirtildiği gibi rondelalı somunu tork anahtarı ile sıkıştırın.**  
Aşırı sıkıştırılırsa rondelalı somun uzun bir süre sonra kırılabilir ve soğutma sıvısı kaçağına yol açabilir.
- Cihazın takılması ulusal elektrik tesisatı yönetmeliklerine uygun olarak yapılmalıdır.**
- Gazlı ocak veya alev çıkartan başka bir ekipman kullanıyorsanız, klimadaki soğutucu gazı tamamen boşaltın ve mekanı iyice havalandırın.**  
Soğutucu madde sızarak ateş veya sıcak parçalarla temas ederse, zararlı gazlar ortaya çıkar ve yangın tehlikesi oluşur.
- Üreticinin tavsiyeleri dışında buz çözme işlemi veya temizleme sürecini hızlandıracak yöntemler kullanmayın.**
- Bu cihaz yönlendirilmiş alev kaynağının (örneğin: açık alev, gazla çalışan bir cihaz veya elektrikli ısıtıcı) bulunmadığı bir odada saklanmalıdır.**
- Delmeyin veya yakmayın.**
- Unutmayın, soğutucu maddelerin her zaman belirgin bir kokusu olmayabilir.**
- Boru tesisatı fiziki hasara karşı korunmalıdır.**
- Boru tesisatı kurulumu asgaride tutulmalıdır.**
- Ulusal gaz yönetmeliklerine uyulmalıdır.**
- Gerekli havalandırma açıklıklarının önünde engel bulunmamalıdır.**
- Gaz yakarak çalışan cihazları, elektrikli ısıtıcıları ve diğer olası yangın kaynaklarını (alev kaynakları), montaj, onarım ve klimadaki diğer işlerin yapılacağı yerlerden uzak tutun.**
- Cihaz, çalıştırılması için belirtilen oda alanına karşılık gelen ve iyi havalandırılan bir alanda saklanmalıdır.**
- Yanık kokusu olması veya bakım ya da muayene yapılması haricinde şalteri KAPAMAYIN.**  
İç üniteye soğutucu madde sensörüne elektrik sağlanamaz ve sensör soğutucu madde sızıntısını tespit edemez. Bu yangına neden olabilir.

**▲ DİKKAT**

(Cihaz doğru çalıştırılmadığında ciddi yaralanmalara sebep olacak uyarıları gösterir.)

- **Tesis edilen yere uygun bir topraklama devre kesicisi takınız.**  
Toprak kaçacağına karşı devre kesici takılmaması halinde elektrik çarpması meydana gelebilir.
- **Pis su ve diğer boru tesisi işini kılavuza göre emniyetli bir şekilde yapınız.**  
Pis su ve diğer boru tesisi işlemlerinde bir hata yapılması üniteden su damlaması sonucu etrafta bulunan eşyaların zarar görmesine sebep olur.
- **Dış ünitenin hava girişine ya da alüminyum kanatçıklarına dokunmayınız.**  
Aksi halde yaralanabilirsiniz.

- **Dış üniteyi küçük hayvanların yaşadığı yerlere monte etmeyiniz.**  
Ünitenin içindeki elektrikli parçalara küçük hayvanlar girebilir ve dokunursa, arıza oluşabilir, duman yayılabilir ya da yangın çıkabilir. Ayrıca, kullanıcıya ünitenin etrafını temiz tutmalarını belirtiniz.
- **Klimayı, iç mekanda yapılan inşaat veya boya işleri sırasında veya zemin cilalanırken çalıştırmayın.**  
Bu tip işlerden sonra klimayı çalıştırmadan önce odayı iyice havalandırın. Aksi takdirde, uçucu maddeler klimanın içine yapışabilir ve bu durum su sızıntısına veya çiyin yayılmasına neden olur.

- **Üniteyi duman, gaz veya kimyasal maddelerin dökülebileceği yerlere monte etmeyin.**  
İç üniteye monte edilen soğutucu madde sensörü bunlara tepki verebilir ve soğutucu madde sızıntısı hatası gösterebilir.
- **Şalter AÇIK olduğunda fanın dönüşüne dikkat edin.**  
Soğutucu madde sensörü soğutucu madde sızıntısı tespit ederse fan otomatik olarak dönmeye başlar. Bu, yaralanmalara neden olabilir.

## 1-2. TESİS EDİLECEK BÖLGENİN SEÇİMİ

Bu kılavuzda yalnızca iç ünitenin tesisi açıklanmaktadır.

Dış ünite tesis işlemini yaparken dış ünite tesis etme kılavuzuna bakın.

### İÇ ÜNİTE

#### ▲ ▲ UYARI

**Bu ünite dış ünitenin montaj kılavuzunda belirtilen zemin alanından daha geniş odalara monte edilmelidir.**

- Dış ünite montaj kılavuzuna bakın.

- Hava akımını engellemeyen yerler.
- Serin (veya ılık) havanın tüm odaya yayılmasını sağlayan yerler.
- Duvar, titreşime karşı dayanıklı olmalıdır.
- Güneş ışığını direkt olarak almayan yerler. Kullanmadan önce, ambalajından çıkardıktan sonraki sürece dahil olmak kaydıyla, direkt güneş ışığına maruz bırakmayınız.
- Pis su çıkışının sorun olmayacağı yerler.
- Tv ve radyonuzdan 1 m veya daha fazla uzaklıkta. Klimanın çalışması radyo veya TV'nin alışı kalitesini engelleyebilir. Etkilenen cihaza yükseltici takılması gerekebilir.
- Floresan ve parlak ışıklı lambalardan olabildiğince uzak bir yere. Kızılötesi uzaktan kumandanın klimayı normal çalıştırması için. Lambalardan gelen ısı deformasyona ya da ultraviyole ışık bozulmaya neden olabilir.
- Hava filtresinin kolayca çıkarılabilir değiştirilebileceği yerler.
- Diğer ısı veya buhar kaynaklarından uzak yerler.
- Üniteyi propan, bütan veya metan gazlı cihazların, böceksavar gibi spreyleyin, duman, boya vb. çıkaran cihazların ve kimyasal maddelerin bulunduğu ortamlarda veya sülfür bazlı gaz üretilen yerlere monte etmeyin.
- İç üniteye monte edilen soğutucu madde sensörü bunlara tepki verebilir ve soğutucu madde sızıntısı hatası gösterebilir. Bu, ünitenin çalışmamasına neden olabilir.

### UZAKTAN KUMANDA

- Çalışmaya elverişli ve görülebilen yerler.
- Çocukların dokunmayacakları yerler.
- Yerden yaklaşık 1,2 m yükseklikte bir konum seçin. Bu konumdayken iç ünitenin, uzaktan kumandanın yolladığı sinyallerin emniyetle aldığını kontrol edin (alıyorsa 'bip' veya 'bip bip' sesleri duyulur). Daha sonra uzaktan kumanda yuvasını sütuna veya duvara monte edin ve kablolu uzaktan kumandayı yuvasına yerleştirin.

#### Not:

Floresan lamba kullanılan odalarda kumandanın sinyalleri alınmayabilir.

#### Not:

Klimayı, klimate ilişkin arızaların ortaya çıkması-nın olası olduğu aşağıdaki yerlere tesis etmekten kaçınınız.

- Yanıcı gaz sızıntısı olabilecek yerler.
- Makine yağlarının çok bulunduğu yerler.
- Yağın sıçradığı veya alanın yağlı duman ile dolu olduğu yerler (pişirme alanları ve fabrikalar, plastiğin özelliklerinin değiştirilebileceği veya zarar görebileceği yerler).
- Deniz kıyısı gibi tuzlu yerler.
- Kaplıca, kanalizasyon, atık su gibi sülfür gazının üretildiği yerler.
- Yüksek frekanslı veya telsiz cihazlarının bulunduğu yerler.
- Kimyasal çatlama neden olan ftalat bileşikler, formaldehit, vs. dahil olmak üzere yüksek seviyelerde VOC emisyonu olan yerler.
- Cihaz mekanik hasar meydana gelmesini önleyecek şekilde saklanmalıdır.

İç ünite R32 soğutucu kullanan dış üniteye bağlanacaksa, soğutucu madde miktarı M'ye (fabrika dolumu soğutucu madde + yerel olarak eklenen soğutucu madde) karşılık gelen Amin (metre kare) değerine eşit veya daha geniş bir zemin alanına sahip bir odaya monte edin. Soğutucu madde miktarı ve ek soğutucu madde dolumu için dış üniteye bakın.

M [kg]	Amin [m <sup>2</sup> ]
1,00	
1,10	
1,20	
1,30	
1,40	
1,50	
1,60	
1,70	
1,80	
1,84	3,63
1,90	3,75
2,00	3,95
2,10	4,15
2,20	4,34
2,30	4,54
2,40	4,74

Soğutucu madde dolumu için dış ünite montaj kılavuzuna bakın.

### 1-3. SPESİFİKASYONLAR

Model	Güç kaynağı *1		Kablo spesifikasyonları *2	Boru boyutu (kalınlık *3, *4, *5, *6)		İzolasyon kalınlığı *7, *8
	Tahmini Voltaj	Frekans	İç ünite/dış ünite bağlantı kablosu	Gaz	Sıvı	
MFZ-KT25VG	230 V	50 Hz	4 merkezli 2,0 mm <sup>2</sup>	ø9,52 mm (0,8 mm)	ø6,35 mm (0,8 mm)	14 mm
MFZ-KT35VG				ø12,7 mm (0,8 mm)		
MFZ-KT50VG				ø15,88 mm (0,8 mm)		
MFZ-KT60VG						

\*1 Güç kaynağı fazını kesmek için açıldığında en az 3 mm aralığı olan bir elektrik şalterine bağlayın. (Elektrik şalteri kapatıldığı zaman tüm fazları kesmelidir.)

\*2 60245 IEC 57 tasarımı ile uyumlu kablolar kullanın.

\*3 Belirtilen değerden daha düşük kalınlıkta boru kullanmayınız. Basınç direnci yetersiz kalır.

\*4 Bakır ya da bakır alaşımlı eksiz bir boru kullanınız.

\*5 Boruları bükerken boruyu ezmemeye veya eğmemeye dikkat ediniz.

\*6 Soğutma borusu eğilme yarıçapı 100 mm veya daha fazla olmalıdır.

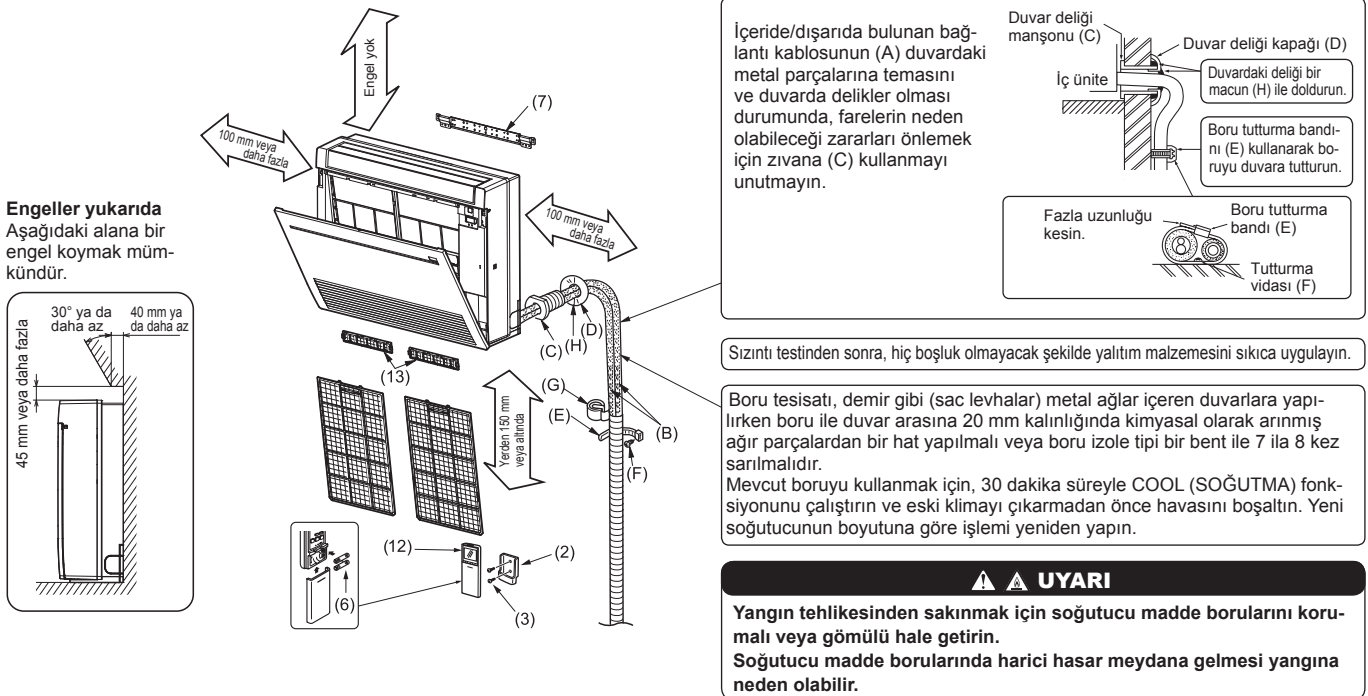
\*7 İzolasyon malzemesi: Isıya dayanıklı köpüklü plastik. 0,045 özgül ağırlık

\*8 İzolasyonu belirtilen kalınlıkta yapmaya dikkat edin. Aşırı kalın izolasyonu iç ünitenin yanlış montajına, kalınlığının az olması ise çığlınmaya sebep olabilir.

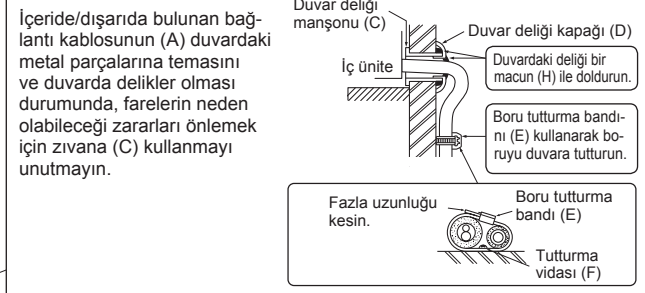
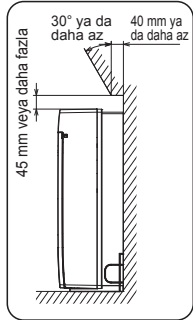
### 1-4. MONTAJ DİYAGRAMI

Dış üniteyi monte ederken dış ünite montaj kılavuzuna bakın.

Boru tesisatı özellikleri tablosu minimum hat uzunluğu ayarını göstermez. Yine de, 3 metreden kısa boru tesisatı ile bağlanmış iç üniteler normal sistem çalışması sırasında çok sessiz ortamlarda aralıklı gürültü oluşturabilir. İç üniteyi iklimlendirilen alana monte ederken ve konumlandırırken bu önemli bilgiyi unutmayın.



**Engeller yukarıda**  
Aşağıdaki alana bir engel koymak mümkündür.



Sızıntı testinden sonra, hiç boşluk olmayacak şekilde yalıtım malzemesini sıkıca uygulayın.

Boru tesisatı, demir gibi (sac levhalar) metal ağırlar içeren duvarlara yapılıırken boru ile duvar arasında 20 mm kalınlığında kimyasal olarak arınmış ağır parçalardan bir hat yapılmalı veya boru izole tipi bir bent ile 7 ila 8 kez sarılmalıdır. Mevcut boruyu kullanmak için, 30 dakika süreyle COOL (SOĞUTMA) fonksiyonunu çalıştırın ve eski klimayı çıkarmadan önce havasını boşaltın. Yeni soğutucunun boyutuna göre işlemi yeniden yapın.

**⚠ ⚠ UYARI**  
Yangın tehlikesinden sakınmak için soğutucu madde borularını korumalı veya gömülü hale getirin. Soğutucu madde borularında harici hasar meydana gelmesi yangına neden olabilir.

Yerel kod gerekliliklerine göre, üniteler lisanslı yapımcı tarafından kurulmalıdır.

#### AKSESUARLAR

Montajdan önce aşağıdaki parçaların bulunup bulunmadığını kontrol edin.

(1) Pis su hortumu*	1
(2) Uzaktan kumanda yuvası	1
(3) (2) için tespit vidası 3,5 × 16 mm (Siyah)	2
(4) Boru kaplayıcısı	1
(5) Bant	2
(6) Uzaktan (AAA) için (12)	2
(7) İç ünite montaj braketi	1
(8) (7) 4 × 25 mm'lik tespit vidası	5
(9) İç ünitenin sabitlenmesi için ağaç vida	4
(10) (9)'un rondelası	4
(11) Keçe bant (sola veya sol arkaya boru döşemek için)	1
(12) Kablosuz uzaktan kumanda	1
(13) Hava temizleme filtresi	2
(14) Bağlantı borusu (Sadece KT60)	1
(15) Bağlantı borusunun boru kapağı (Sadece KT60)	1
(16) Şalter etiketi	1
(17) Şalter uyarısı	1

\* Not:

Pis su hortumu üniteye bağlandı.

#### YERİNİZE SAĞLANACAK PARÇALAR

(A) İç/dış ünite bağlantı kablosu*	1
(B) Uzatma borusu	1
(C) Duvar deliği manşonu	1
(D) Duvar deliği kapağı	1
(E) Boru tesbit bandı	2 - 5
(F) (E) 4 × 20 mm için tesbit vidası	2 - 5
(G) Boru bandı	1
(H) Macun	1
(J) Pis su hortumu (veya yumuşak PVC hortum, 15 mm iç çap veya sert PVC boru VP16)	1 veya 2
(K) Soğutma yağı	1
(L) Güç kaynağı kablosu*	1

\* Not:

İç/dış ünite bağlantı kablosu (A) ve güç kaynağı kablosu (L), TV anten kablosundan en az 1 m uzakta olmalıdır.

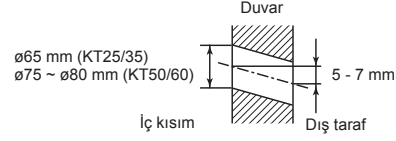
## 2. İÇ ÜNİTENİN TESİSİ

### 2-1. İÇ ÜNİTE MONTAJ BRAKETİNİN SABİTLENMESİ

- İç üniteyi 150 mm'den yüksek bir yere monte etmeyin.
- Duvarda yapısal bir malzeme (saplama gibi) bulun ve braketini (7) yatay olarak tespit vidalarıyla (8) sabitleyin.
- Braketin (7) titreşimini önlemek için tespit vidalarını şekilde belirtilen deliklere taktığınızdan emin olun. İlave destek için, tespit vidaları aynı zamanda diğer deliklere de takılabilir.

### 2-2. DUVARA DELİK AÇMA

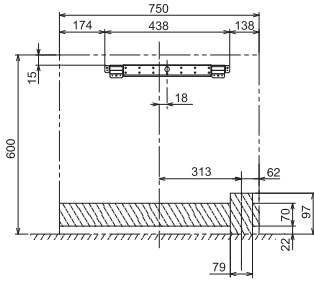
- Duvar delik konumunu belirleyin.
- 65 mm çapında bir delik açın. (KT50/60 için çap 75 ~ 80 mm). Dış taraf, iç tarafın 5 ila 7 mm aşağısında olmalıdır.
- Duvar deliği manşonunu (C) takın.



#### DELİK KONUMLARI

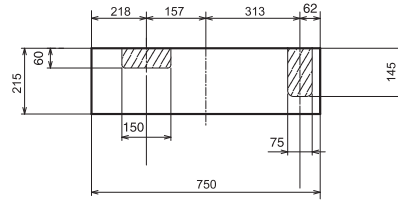
##### ARKAYA VEYA SOL ARKAYA BORU YERLEŞTİRME

(Aşağıdaki şekilde iç ünite montaj konumunun önden görünüşü bulunmaktadır.)

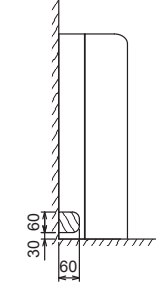


##### SAĞ AŞAĞIYA VEYA SOL AŞAĞIYA BORU YERLEŞTİRME

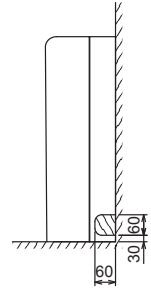
(Aşağıdaki şekilde iç ünitenin yukarıdan alt kısmının görünüşü bulunmaktadır.)



##### SOLA BORU YERLEŞTİRME



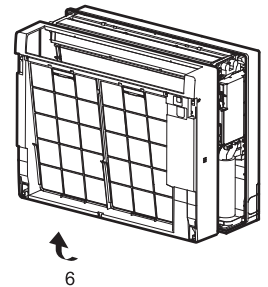
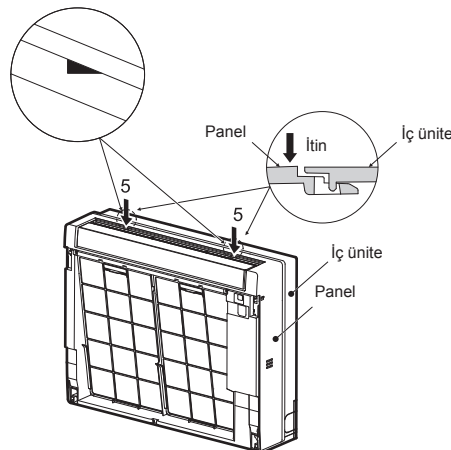
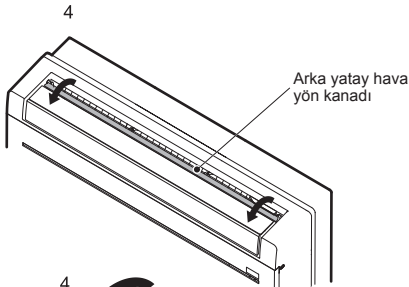
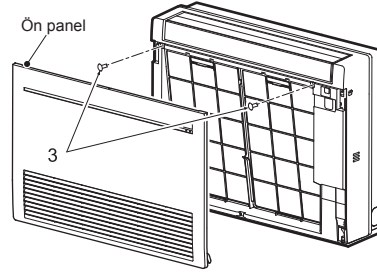
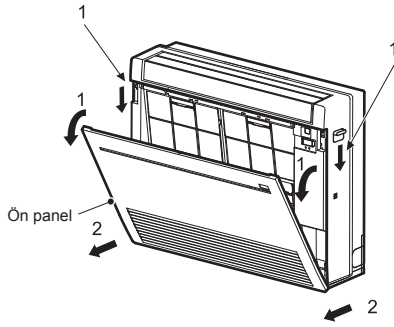
##### SAĞA BORU YERLEŞTİRME



### 2-3. İÇ ÜNİTENİN HAZIRLANMASI

İç ünitenin ön panelini çıkarın.

- Ön paneli açmak için ünitenin her iki tarafında bulunan tırmakları aşağı bastırın.
- Ön paneli çıkarmak için paneli kendinize doğru çekin.
- 2 vidayı çıkartın.
- Arka yatay kanatçıyı açın.
- Panelin üstündeki 2 konumu itin ve ardından panelin üst kısmını kendinize doğru çekin.
- Yukarı kaldırırken paneli çıkarın (hafifçe).



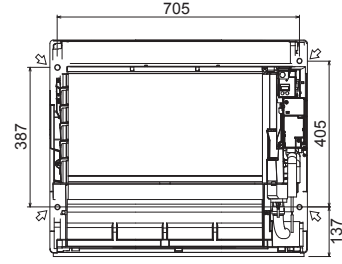
## 2-4. İÇ ÜNİTENİN MONTAJI

### 2-4-1. İÇ ÜNİTENİN ZEMİNE MONTAJI

- 1) İç üniteyi düz zemine koyun.
- 2) Verilen ağaç vidalar (9) ve pullar (10) ile iç üniteyi 4 noktada sabitleyin. Vidaları iyice sıkın.

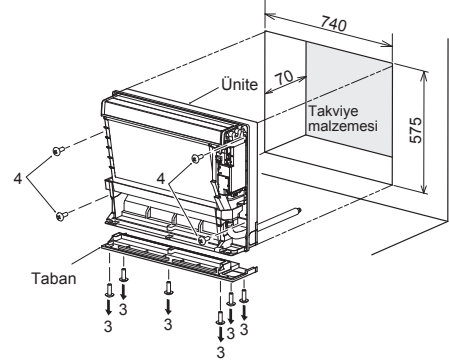
### 2-4-2. İÇ ÜNİTENİN DUVARA MONTAJI

- 1) İç ünitenin üst kısmını iç ünite montaj braketine (7) takın.
- 2) Verilen ağaç vidalar (9) ve pullar (10) ile iç üniteyi 4 noktada sabitleyin. Vidaları iyice sıkın.



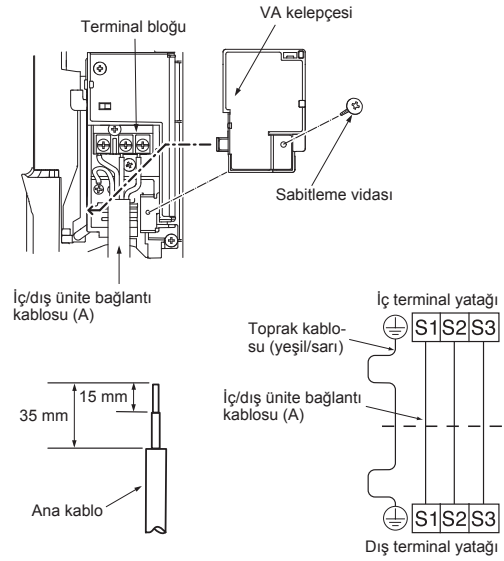
### 2-4-3. İÇ ÜNİTENİN DUVARA GÖMÜLMESİ

- 1) Duvarda bir delik açın.
- 2) Takviye malzemesini kullanarak derinliği ayarlayın.
- 3) Tabanı üniteye sabitleyen 6 vidayı çıkarın. Tabanı üniteden çıkarın.
- 4) Verilen ağaç vidalar (9) ve pullar (10) ile iç üniteyi 4 noktada sabitleyin. Vidaları iyice sıkın.



## 2-5. KABLOLARI İÇ ÜNİTEYE BAĞLAMA

- 1) VA kelepçesini çıkarın.
- 2) İç/dış ünite bağlama kablosunu (A), iç ünitenin arkasından geçirin ve kablunun ucunu ilerletin.
- 3) Terminal vidasını gevşetin ve önce topraklama kablosunu, sonra iç/dış ünite bağlama kablosunu (A) terminal yatağına bağlayın. Yanlış bağlantı yapmayın. İç kısmı hiç görünmeyecek ve terminal bloğunun bağlanma kesitine hiç bir dış kuvvet aktarılmayacak şekilde kabloyu terminal bloğuna sabitleyin.
- 4) Terminal vidalarını gevşemeyecek şekilde iyice sıkıştırın. Sıkıştırdıktan sonra son bir kez kabloları hafifçe çekip kontrol edin.
- 5) İç ünite/dış ünite bağlama kablosunu (A) ve topraklı kabloyu VA kelepçesiyle sabitleyin. VA kelepçesinin sol tırnağını asmayı asla atlamayın. VA kelepçesini sağlam bir şekilde takın.



- Topraklı kabloyu diğerlerinden daha uzun tutun. (45 mm'den fazla)
- İleride yapılacak bakım işleri için kabloları uzun tutun.
- Fazla kabloyu katlamayın ya da küçük bir alana sıkıştırmayın. Kablolar zarar vermemeye özen gösterin.
- Kordonu ve/veya kabloyu terminal bloğuna sabitleirken her vidayı karşındaki terminale taktığınızdan emin olun.

### ⚠ UYARI

Üniteyi tesis ederken, soğutucu borularını kompresörü çalıştırmadan önce sağlam şekilde bağlayınız.

## 2-6. BORU DÖŞEME VE MONTAJ

Not: 3'e bakın. DİŞLİ BAĞLANTI, BORU BAĞLANTISI.

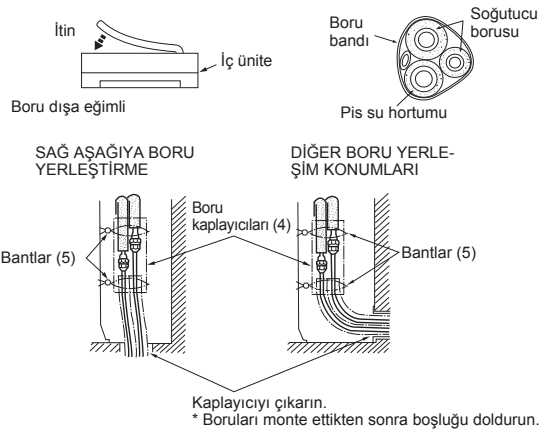
### Boru Döşeme

- Pis su hortumunu bağlantı borularının altına çapraz olarak yerleştirin.
- Pis su hortumunun yukarıya doğru yerleştirilmediğinden ve hortum üzerinde dalga bulunmadığından emin olun.
- Tahliye hortumunu çekmeyin, oturfina hant sarın.
- Boruları iç ünitenin arka kısmında çıkıntı yapmayacak şekilde yerleştirin. (Sağdaki şekle bakın.)

### Bağlantı Borusu Montajı

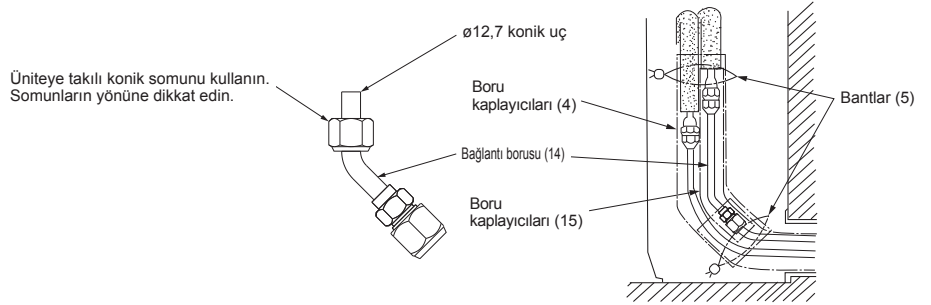
- Bağlantı borularını borular öne, arkaya, sola ve sağa hafifçe hareket edecek şekilde bağlayın.
- Kapak çıkarıldığında, boruların monte edildikten sonra açıkta kalmaması için boruları örttüğünüzden emin olun.
- Boruları monte ettikten sonra boşluğu doldurun.

- Panele temas etmeyecek şekilde bağlantı borularını mutlaka yalıtın.
- Bağlantı borularını eğerken ezmemeye dikkat edin.



### MFZ-KT60 için

- Bağlantı borusunu kullandığınızdan emin olun (14), aksi takdirde 15,88 çaplı uzatma borusu sabitlenemez.
- Bağlantı borusunu (14) 12,7 çapına genişletin ve boru kapağını takın (15).



### SOLA VEYA SOL ARKAYA BORU YERLEŞTİRME

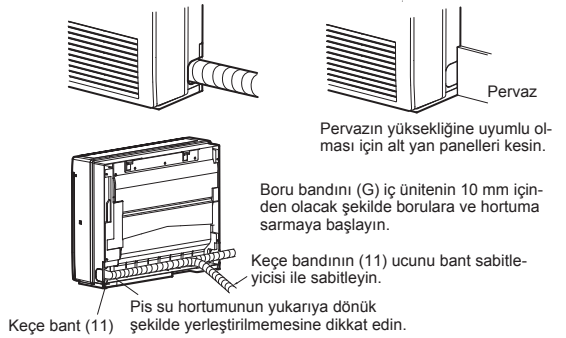
Bağlantı borularını ve pis su hortumunu bir araya toplayın ve keçe bantla (11) sarın.

İç ünitenin sol ve sağ taraflarındaki alt yan panelleri aşağıda gösterildiği gibi kesin ve kullanın.

Yan panellerin kesilen kenarlarının keskinliğini izolasyon kaplamasına zarar vermeyecek şekilde giderin.

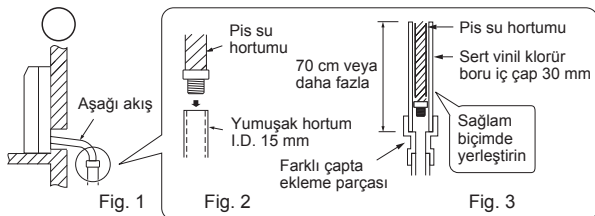
- Sola veya sağa boru yerleştirme
- Pervazlı duvara monte etme

Keçe bandını (11) borular ve hortumun iç ünitenden çıktığı yerin yanından başlayarak sıkıca boruların ve hortumun etrafına sarın. (Keçe bandını (11) üst üste binme genişliği bantenin 1/2'sinden daha fazla olmamalıdır.)

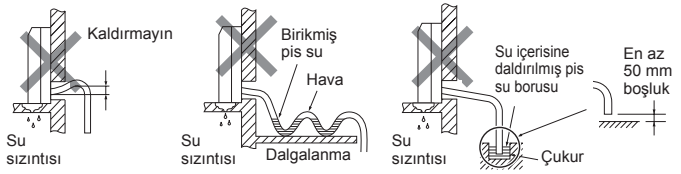


## 2-7. TAHLİYE BORUSU

- Uzatma pis su hortumu bir odadan geçecekse, hortumu piyasada satılan bir izolasyon malzemesiyle sarın.
- Rahat pis su akışı için pis su borusu aşağı doğru tesis edilmelidir. (Fig. 1)
- İç üniteyle birlikte verilen pis su hortumu çok kısaysa, üniteyi sağlanacak bir pis su hortumu (J) ile bağlayın. (Fig. 2)
- Pis su hortumunu sert vinil klorür boruya bağlarken, hortumu sıkıca boruya taktığınızdan emin olun. (Fig. 3)

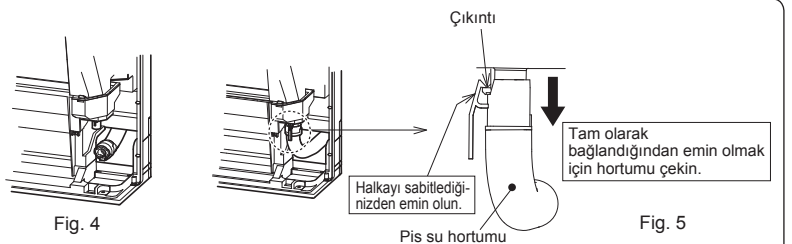


Pis su borulamasını aşağıda gösterildiği şekilde yapmayın.



### Pis su hortumu kurulum sırasında sökülür.

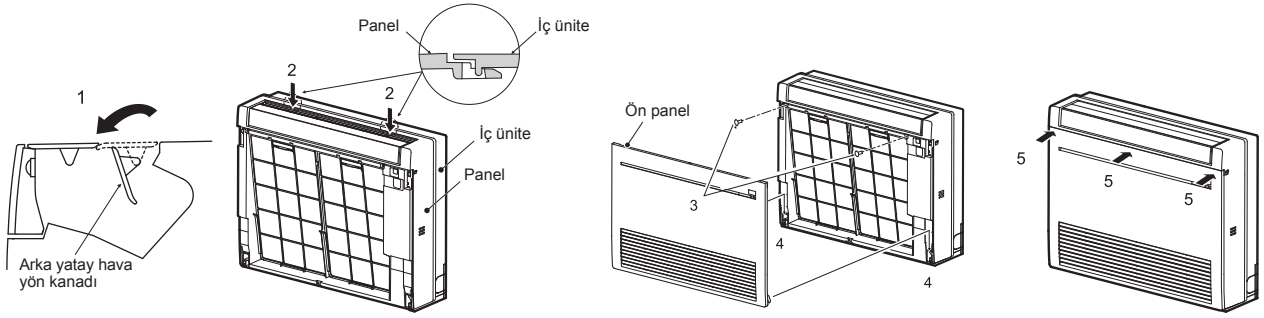
- Tahliye hortumunu yerleştirirken, pis su hortumunun (1) gösterildiği gibi konumlandırmanızdan emin olun. (Fig. 4)
- Pis su hortumunu boşaltma tavasının tabanına takın (bağlantı sonuna). (Fig. 5)
- Pis su hortumunun boşaltma tavasının hortum bağlantısındaki çıkıntıya tam olarak takılıp takılmadığını kontrol edin.
- Pis su hortumunu bağladıktan sonra, tam olarak bağlandığından emin olmak için hortumu çekin.





## 2-8. ÖN PANELİN MONTE EDİLMESİ

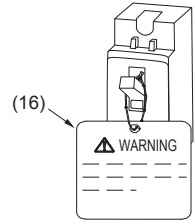
- 1) Arka yatay kanatçıyı açın.
- 2) Paneli takın. Mandalları taktığından emin olun.
- 3) Paneli vidalarla sabitleyin.
- 4) Ön panelin alt kısmını takın.
- 5) Kapatmak için ön panelin üstündeki 3 yeri itin.



## 2-9. ETİKETİN TAKILMASI VE AÇIKLAMA

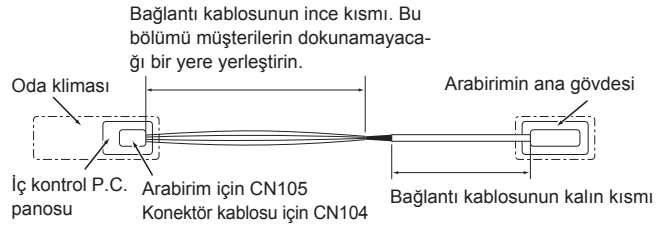
Şalter, bakım veya muayene yapılması haricinde daima AÇIK olmalıdır. Birlikte verilen etiketi (16) veya (17) şaltere asın ve müşterilere açıklayın. Şalter KAPALI iken iç üniteye soğutucu madde sensörüne elektrik verilmez ve soğutucu madde sızıntısı tespit edilemez.

Not: İç ünite/dış ünite elektrik bağlantı kabloları ayrıysa, birlikte verilen etiketi (16) veya (17) iç ünite tarafındaki şaltere asın ve müşterilere açıklayın.

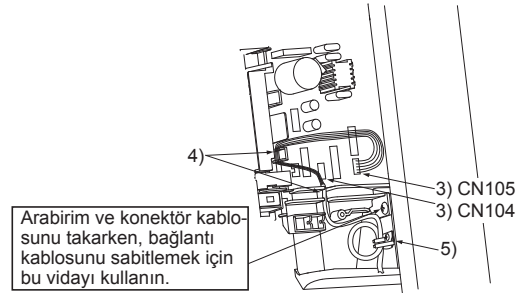


## 2-10. BİR ARABİRİM (opsiyon)/KONEKTÖR KABLOSUNU (opsiyon) KLİMAYA BAĞLAYIN

- Bir bağlantı kablosu ile, klimanın iç mekan kontrol P.C. panosuna arabirim/konektör kablosunu bağlayın.
- Arabirim/konektör kablosunun kesilmesi ya da uzatılması bağlantıda arızalara neden olur. Bağlantı kablosunu güç kaynağı kordonu, iç/dış bağlantı kablosu ve/veya toprak kablosuyla birlikte sarmayın. Bağlantı kablosu ve bu kablolar arasındaki aralığı olabildiğince fazla tutun.
- Bağlantı kablosunun ince kısmı müşterilerin dokunamayacağı bir yere yerleştirilerek gizlenmelidir.



- 1) Paneli çıkarın.
- 2) İç kontrol P.C. panosunun kapağını açın.
- 3) İç mekan kontrolü P.C. panosundaki CN105 ve/veya CN104'e bağlantı kablosunu takın.
- 4) Bağlantı kablosunu şekilde gösterilen noktadan yönlendirin.
- 5) Arabirim/konektör kablosu ile birlikte gelen kablo kelepçesini şekilde gösterildiği gibi bir 4x16 vida ile bağlantı kablosunun kalın kısmına takın.
- 6) İç kontrol P.C. panosunun kapağını kapatın. Bağlantı kablosunun ince kısmının kapağa sıkışmamasına dikkat edin. Paneli yerine takın.



### ⚠ UYARI

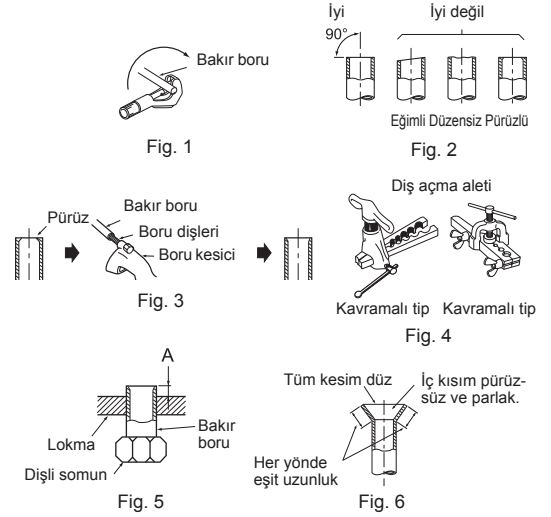
Bağlantı kablosunu önceden belirtilen konuma sıkıca sabitleyin. Yanlış kurulum elektrik çarpmasına, yangına ve/veya arızalara neden olabilir.

## 3. DIŞLİ BAĞLANTI, BORU BAĞLANTISI

### 3-1. DIŞ AÇMA İŞİ

- 1) Bakır boruyu boru keskiyle doğru şekilde kesin. (Fig. 1, 2)
- 2) Boru kesitindeki pürüzleri tamamen giderin. (Fig. 3)
  - Pürüzleri giderme işlemi sırasında boruyu tutun ki kırptılar borunun içerisine düşmesin.
- 3) İç ve dış ünite de takılı olan somunları sökün ve daha sonra bu somunları pürüzlerden tamamen arınmış boruya takın. (Diş açtıktan sonra takmak mümkün değildir)
- 4) Diş açma işi (Fig. 4, 5). Tabloda gösterilen boyuttaki boruyu sıkıca tutun. Kullandığınız alete göre tablodan A mm seçin.
- 5) Kontrol
  - Diş açma işini Fig. 6 ile karşılaştırın.
  - Eğer hata yaptıysanız hatalı kısmı keserek işlemi yeniden yapın.

Boru çapı (mm)	Somun (mm)	A (mm)		Sıkma torku		
		R32, R410A için kavrama tipi alet	R22 için kavrama tipi alet	N•m	kgf•cm	
ø6,35 (1/4")	17	0 - 0,5	1,0 - 1,5	1,5 - 2,0	13,7 - 17,7	140 - 180
ø9,52 (3/8")	22			34,3 - 41,2	350 - 420	
ø12,7 (1/2")	26			2,0 - 2,5	49,0 - 56,4	500 - 575
ø15,88 (5/8")	29			-	73,5 - 78,4	750 - 800



### 3-2. BORU BAĞLAMA

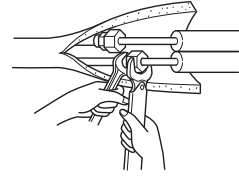
- Tabloda belirtildiği gibi rondelali somunu tork anahtarı ile sıkıştırın.
- Aşırı sıkıştırıldığında rondelali somun uzun bir süre sonra kırılabilir ve soğutma sıvısı kaçağına yol açabilir.
- Boruların etrafına izolasyon malzemesi kaplamayı unutmayın. Çıplak boruya doğrudan temas etmek yanmaya ve soğuk ısırmasına neden olabilir.

#### İç ünite bağlantısı

- İç ünite sıvı ve gaz borularının ikisini de bağlayın.
- Boruların dış açılmış uçlarına ince bir katman soğutma yağı (K) uygulayın. Vida dişlerine soğutma yağı uygulamayın. Aşırı sıkma torku uygulamanız, vidalarda hasar meydana gelmesine neden olur.
  - Bağlantı sırasında ilk önce merkezleri hizalayın ve sonra da somunu 3 veya 4 kez sıkıştırın.
  - İç ünite kısmındaki bağlantı geçişlerinde kılavuz olarak yukarıdaki tabloyu kullanın ve sıkıştırma işlemi için somun anahtarını kullanarak gerçekleştirin. Fazla sıkıştırma ile boru bölümüne zarar verebilirsiniz.

#### UYARI

İç mekanda tekrar kullanılan mekanik konektörler ve konik bağlantılara izin verilmez. Soğutucu madde borularını dişli bağlantı kullanmak yerine lehimleyerek birleştirirken, tüm lehimleme işlemini iç üniteyi dış üniteye bağlamadan önce yapın.



#### UYARI

Üniteyi tesis ederken, soğutucu borularını kompresörü çalıştırmadan önce sağlam şekilde bağlayınız.

## 4. TEST ÇALIŞTIRMASI

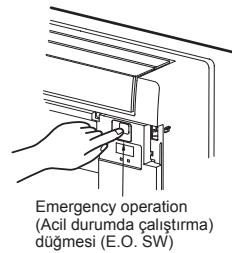
### 4-1. TEST ÇALIŞTIRMASI

Aşağıdaki işlemleri yaptığınızdan emin olun.

- Panel doğru şekilde monte edilmelidir.
  - İç ve dış üniteler doğru şekilde monte edilmeli ve elektrik bağlantısı doğru yapılmalıdır.
- 1) COOL (soğutma) işlemi için bir, HEAT (ısıtma) işlemi için iki kez E.O. SW tuşuna basın. Test çalıştırması 30 dakika boyunca gerçekleştirilecektir. Göstergenin sol tarafındaki ışık 0,5 saniyede bir yanıp sönüyorsa, iç ve dış ünite bağlantı kablolarının (A) doğru bağlanıp bağlanmadığını kontrol edin. Test çalıştırmasından sonra, acil durum modu (sıcaklık 24°C'ye ayarlanır) başlatılır.
  - 2) Çalıştırmayı durdurmak için, tüm LED ışıkları sönmeye kadar birkaç kez E.O. SW'ye basın. Ayrıntılar için çalıştırma talimatlarına bakın.

#### Uzaktan kumanda (kızılötesi) sinyal alımı testi

- Kumanda (12) üzerindeki ON/OFF düğmesine bastığınızda iç üniteden elektronik bir ses duyulur. Klimayı durdurmak için ON/OFF düğmesine basınız.
- Kompresör durduğunda, yeniden başlatmayı engelleme cihazı devreye girer ve kompresörün 3 dakika boyunca çalışmasını engelleyerek klimayı korur.



### 4-2. OTOMATİK YENİDEN BAŞLATMA FONKSİYONU

Bu ürün, otomatik yeniden başlatma fonksiyonuna sahiptir. Çalıştırma sırasında, karartmalarda olduğu gibi güç kaynağı kesildiğinde, güç kaynağı geri geldiğinde önceki ayarı ile fonksiyon çalıştırmayı otomatik olarak başlatır. (Ayrıntılar için çalıştırma talimatlarına bakın.)

#### Dikkat:

- Test çalıştırması veya uzaktan sinyal alma kontrolünden sonra, E.O. SW veya uzaktan kumanda ile, güç kaynağını kapatmadan önce üniteyi kapatın. Böyle yapmamak, güç kaynağı geldiğinde üniteyi otomatik olarak yeniden başlatacaktır.

#### Kullanıcıya

- Üniteyi monte ettikten sonra, kullanıcıya yeniden başlatma fonksiyonunu anlattığınızdan emin olun.
- Otomatik yeniden başlatma fonksiyonu gereksizse, etkisiz hale getirilebilir. Fonksiyonu etkisiz hale getirmek için servis temsilcisine danışın. Ayrıntılar için bakım kılavuzuna başvurun.

### 4-3. KULLANICIYA AÇIKLAMA

- ÇALIŞTIRMA TALİMATLARINI kullanarak, kullanıcıya klimayı nasıl kullanacağını açıklayın (kumanda nasıl kullanılır, hava filtreleri nasıl çıkarılır, kumanda, kumanda tutucudan nasıl çıkarılır veya kumanda tutucuya nasıl konur, nasıl temizlenir, çalıştırma önlemler, vb.)
- Kullanıcıya ÇALIŞTIRMA TALİMATLARINI dikkatlice okumasını önerin.

## 5. AŐAđI POMPALAMA

DıŐ ünite tesis etme kılavuzunda açıklanan işlemlere bakın.

### UYARI

Sođutucu gazı pompalarken, sođutucu borularını sökmeden önce kompresörü durdurun. Hava vb. maddelerin içine girmesi durumunda kompresör patlayabilir.

This product is designed and intended for use in the residential, commercial and light-industrial environment.

**MITSUBISHI ELECTRIC CORPORATION**

---

HEAD OFFICE: TOKYO BUILDING, 2-7-3, MARUNOUCHI, CHIYODA-KU, TOKYO 100-8310, JAPAN

RH79A024H01

## Related Links

---

Click the links to the right to download documents and files that relate to the relevant model number.

## Model Number: MFZ-KT25VG

---



MFZ-KT R32 Product Information Sheet



MFZ-KT25-60VG Declaration of Conformity



MFZ-KT25-60VG Installation Manual (RH79A024H01)



MFZ-KT25-60VG Operation Manual (RH79A021H01)



MFZ-KT25-60VG Parts List (OBB843A)



MFZ-KT25-60VG Service Manual (OBH843A)