

# Panasonic

## Parts List

File No.

## Air Conditioner

---

**!** RoHS

• This product does not contain any hazardous substances prohibited by the **RoHS** Directive.

**⚠** WARNING

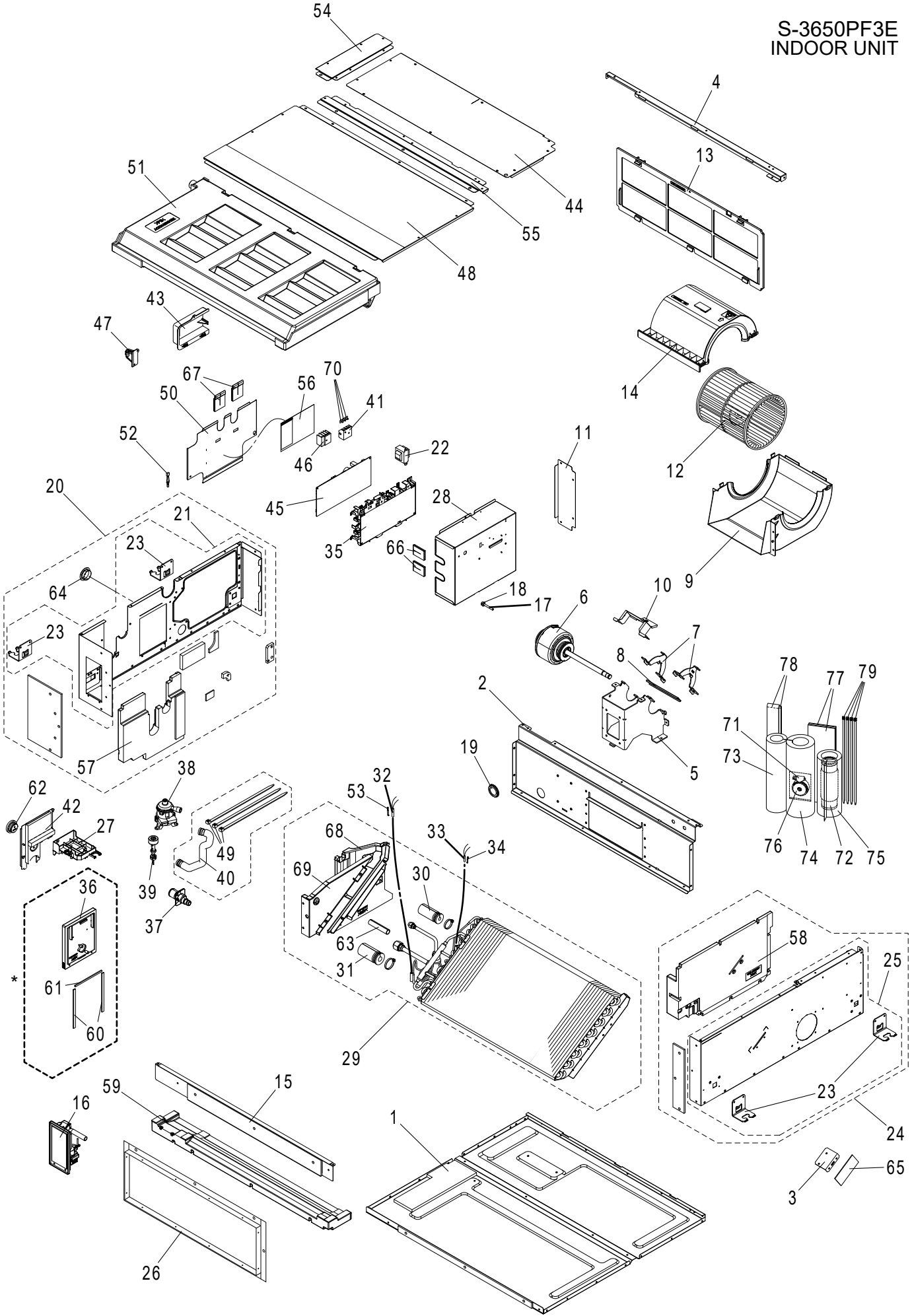
- You are requested to use **RoHS** compliant parts for maintenance or repair.
- You are requested to use lead-free solder.

REFERENCE No.PL834806-02

—— CONTENTS ——

	Model No.	Page
INDOOR UNIT	S-3650PF3E	1
	S-6071PF3E	4
	S-1014PF3E	7

S-3650PF3E  
INDOOR UNIT



\* Take order Parts Nos.36,60,61 as a set of 3 parts in the dotted line.

## ATTENTION!

To ensure correct parts supply, please let us know the following.

Part No. when you make service parts order:

S-3650PF3E

1.Part No. 2.Description 3.Q'ty 4.Volts-Hz-Ph 5.Product Model No.

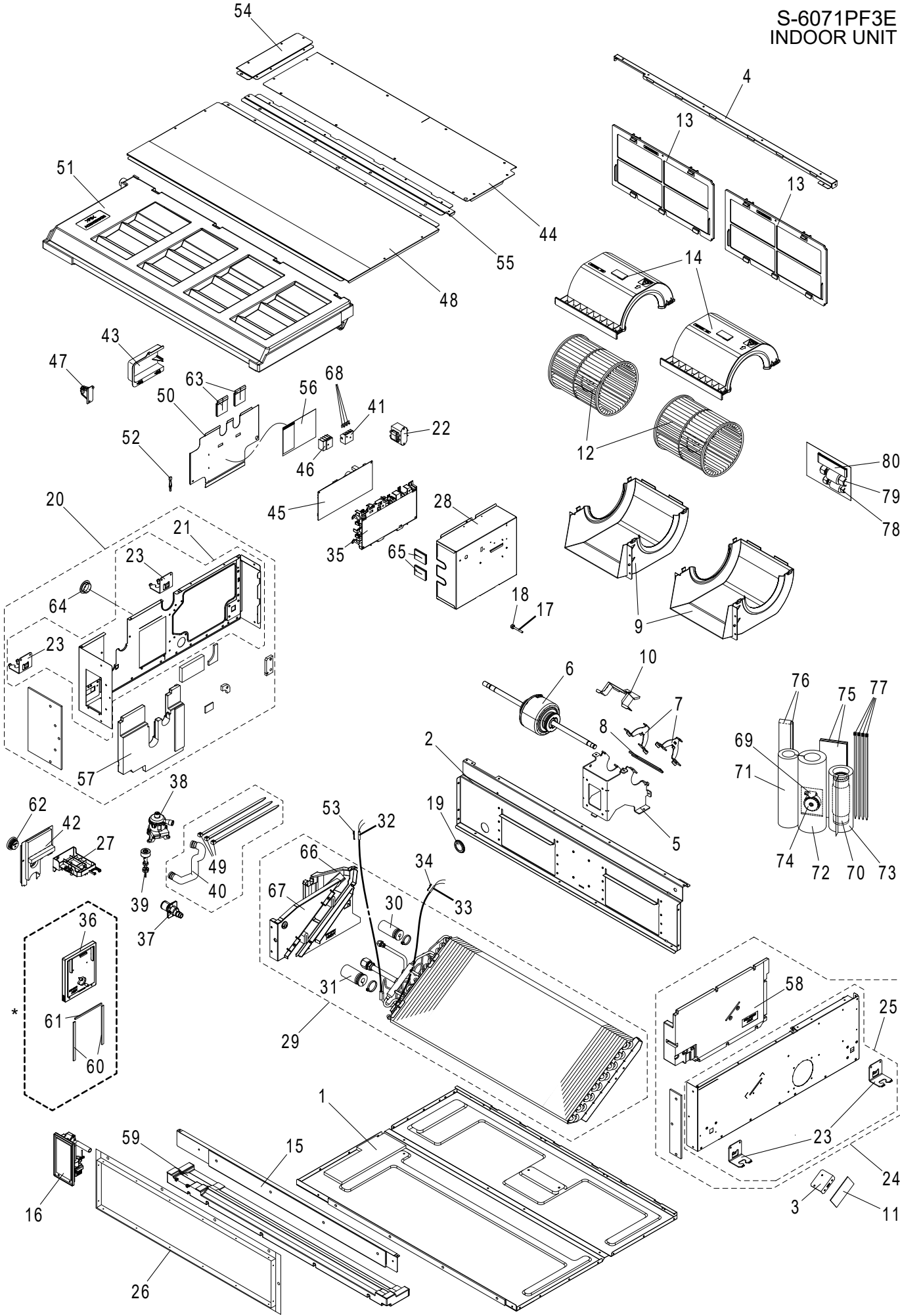
INDOOR UNIT

KeyNo.	Description	Q'ty	Reference No.
1	CABINET TOP PLATE-COMplete	1	ACXE03C01860
2	BULKHEAD	1	ACXD53-01771
3	PARTICULAR PLATE	1	ACXD90-23740
4	PARTICULAR PLATE	1	ACXD90-23690
5	FAN MOTOR BRACKET	1	ACXD54-04000A
*	6 DC MOTORS (BRUSHLESS GENERAL USE)	1	L6CBYYYYL0332
7	FAN MOTOR BRACKET	2	ACXD54-04020
8	FAN MOTOR BRACKET	1	ACXD54-04110
9	AIR GUIDER B.W.	1	ACXD32-01260
10	FAN MOTOR BRACKET	1	ACXD54-04321
11	PARTICULAR PLATE	1	ACXD90-23760
*	12 BLOWER WHEEL ASSY	1	CWH01K1035
*	13 AIR FILTER	1	ACXD00-02690
14	AIR GUIDER B.W.COMplete	1	ACXD32C00100
15	PARTICULAR PLATE-COMplete	1	ACXD90C03910
16	PARTICULAR PIECE-COMplete	1	ACXD93C03592
*	17 THERMISTOR (TA)	1	ACXA50C15630
18	RUBBER.RESIN OR VINYL	1	4690280
19	BUSHING	1	CWH51134
20	CABINET SIDE PLATE-COMplete	1	ACXE04C06580
21	CABINET SIDE PLATE-COMplete	1	ACXE04C06740
*	22 FIXED INDUCTORS	1	G0C332K00009
23	PARTICULAR PIECE	4	ACXD93-20240A
24	CABINET SIDE PLATE-COMplete	1	ACXE04C06590
25	CABINET SIDE PLATE-COMplete	1	ACXE04C06750
26	L-SHAPED PLATE-COMplete	1	CWD60C1022
27	PUMP BRACKET	1	ACXD58-00230
28	CONTROL BOARD ASSY	1	ACXH10K02320
29	FIN & TUBE EVAPORATER-COMplete	1	ACXB30C24571
30	ADH. POLY-E. FOAM	1	CWG123084
31	ADH. POLY-E. FOAM	1	CWG123085
*	32 THERMISTOR (OD 6.0) (E1)	1	ACXA50C15610
*	33 THERMISTOR (OD 4.2) (E2)	1	ACXA50C15620
34	PLATE SPRING	1	CWH711013
35	PARTICULAR PLATE	1	ACXD90-23650
36	PARTICULAR PLATE	1	ACXD90-23621
37	DRAIN NOZZLE	1	ACXH41-00600
*	38 PUMP	1	ACXB53-00711
*	39 OVER LOAD PROTECTOR	1	ACXA12-01031
40	FLEXIBLE PIPE-COMplete	1	CWH85C1119
41	TERMINAL BOARD ASSY	1	ACXA28K02560
42	PARTICULAR PLATE-COMplete	1	ACXD90C03940
43	RAIN COVER	1	ACXH81-01550
44	CABINET BOTTOM PLATE	1	ACXE05-01610
*	45 PC BOARD W/COMPONENT	1	ACXA73C58082
*	46 TERMINAL BOARD	1	ACXA28-00140
47	RAIN COVER	1	ACXH81-01510
48	CABINET BOTTOM PLATE-COMplete	1	ACXE05C00340
49	BAND	3	ACXH88-00430
50	CONTROL BOARD COVER	1	ACXH13-08070

NOTE: Metal and plastic parts will be supplied basically with necessary heat insulation pads or packing. Each key number with an asterisk (\*) means the recommended service parts.



S-6071PF3E  
INDOOR UNIT



\* Take order Parts Nos.36,60,61 as a set of 3 parts in the dotted line.

## ATTENTION!

To ensure correct parts supply, please let us know the following.

Part No. when you make service parts order:

S-6071PF3E

1.Part No. 2.Description 3.Q'ty 4.Volts-Hz-Ph 5.Product Model No.

INDOOR UNIT

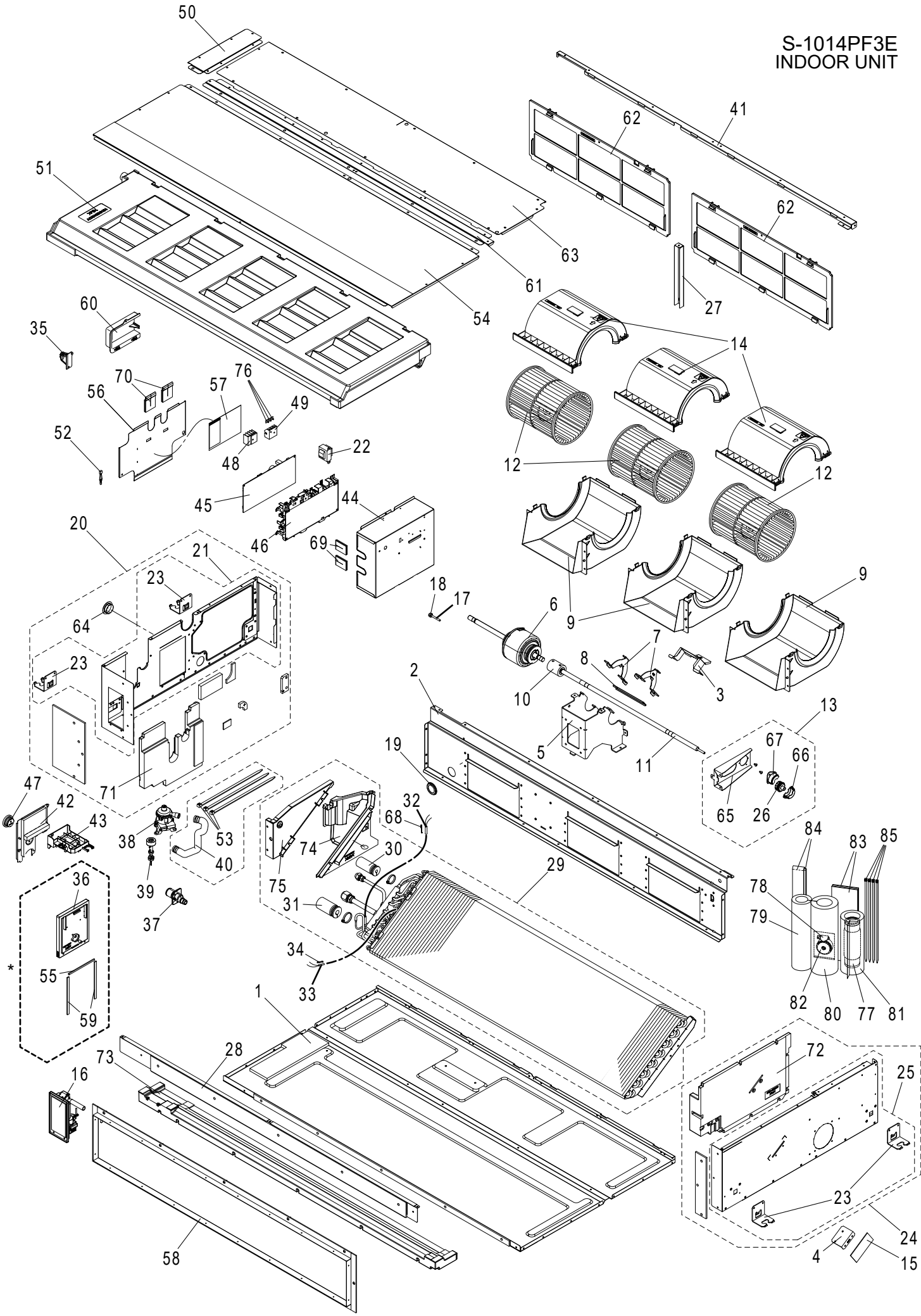
KeyNo.	Description	Q'ty	Reference No.
1	CABINET TOP PLATE-COMplete	1	ACXE03C01870
2	BULKHEAD	1	ACXD53-01781
3	PARTICULAR PLATE	1	ACXD90-23740
4	PARTICULAR PLATE	1	ACXD90-23700
5	FAN MOTOR BRACKET	1	ACXD54-04010A
*	6 DC MOTORS (BRUSHLESS GENERAL USE)	1	L6CBYYYYL0331
7	FAN MOTOR BRACKET	2	ACXD54-04020
8	FAN MOTOR BRACKET	1	ACXD54-04110
9	AIR GUIDER B.W.	2	ACXD32-01260
10	FAN MOTOR BRACKET	1	ACXD54-04321
11	ADH. POLY-E. FOAM	1	ACXG12-33800
*	12 BLOWER WHEEL ASSY	2	CWH01K1035
*	13 AIR FILTER	2	ACXD00-02680
14	AIR GUIDER B.W.COMplete	2	ACXD32C00100
15	PARTICULAR PLATE-COMplete	1	ACXD90C03920
16	PARTICULAR PIECE-COMplete	1	ACXD93C03592
*	17 THERMISTOR (TA)	1	ACXA50C15630
18	RUBBER.RESIN OR VINYL	1	4690280
19	BUSHING	1	CWH51134
20	CABINET SIDE PLATE-COMplete	1	ACXE04C06580
21	CABINET SIDE PLATE-COMplete	1	ACXE04C06740
*	22 FIXED INDUCTORS	1	G0C153K00011
23	PARTICULAR PIECE	4	ACXD93-20240A
24	CABINET SIDE PLATE-COMplete	1	ACXE04C06590
25	CABINET SIDE PLATE-COMplete	1	ACXE04C06750
26	L-SHAPED PLATE-COMplete	1	CWD60C1021
27	PUMP BRACKET	1	ACXD58-00230
28	CONTROL BOARD ASSY	1	ACXH10K02320
29	FIN & TUBE EVAPORATER-COMplete	1	ACXB30C24591
30	ADH. POLY-E. FOAM	1	CWG123084
31	ADH. POLY-E. FOAM	1	CWG123085
*	32 THERMISTOR (OD 6.0) (E1)	1	ACXA50C15610
*	33 THERMISTOR (OD 4.2) (E2)	1	ACXA50C15620
34	PLATE SPRING	1	CWH711013
35	PARTICULAR PLATE	1	ACXD90-23650
36	PARTICULAR PLATE	1	ACXD90-23621
37	DRAIN NOZZLE	1	ACXH41-00600
*	38 PUMP	1	ACXB53-00711
*	39 OVER LOAD PROTECTOR	1	ACXA12-01031
40	FLEXIBLE PIPE-COMplete	1	CWH85C1119
41	TERMINAL BOARD ASSY	1	ACXA28K02560
42	PARTICULAR PLATE-COMplete	1	ACXD90C03940
43	RAIN COVER	1	ACXH81-01550
44	CABINET BOTTOM PLATE	1	ACXE05-01620
*	45 PC BOARD W/COMPONENT	1	ACXA73C58092
*	46 TERMINAL BOARD	1	ACXA28-00140
47	RAIN COVER	1	ACXH81-01510
48	CABINET BOTTOM PLATE-COMplete	1	ACXE05C00350
49	BAND	3	ACXH88-00430
50	CONTROL BOARD COVER	1	ACXH13-08070

NOTE: Metal and plastic parts will be supplied basically with necessary heat insulation pads or packing.  
Each key number with an asterisk (\*) means the recommended service parts.





S-1014PF3E  
INDOOR UNIT



\* Take order Parts Nos.36,55,59 as a set of 3 parts in the dotted line.

## ATTENTION!

To ensure correct parts supply, please let us know the following.

Part No. when you make service parts order:

S-1014PF3E

1.Part No. 2.Description 3.Q'ty 4.Volts-Hz-Ph 5.Product Model No.

INDOOR UNIT

KeyNo.	Description	Q'ty	Reference No.
1	CABINET TOP PLATE-COMplete	1	ACXE03C01880
2	BULKHEAD	1	ACXD53-01791
3	FAN MOTOR BRACKET	1	ACXD54-04321
4	PARTICULAR PLATE	1	ACXD90-23740
5	FAN MOTOR BRACKET	1	ACXD54-04010A
*	6 DC MOTORS (BRUSHLESS GENERAL USE)	1	L6CBYYL0330
7	FAN MOTOR BRACKET	2	ACXD54-04020
8	FAN MOTOR BRACKET	1	ACXD54-04110
9	AIR GUIDER B.W.	3	ACXD32-01260
10	CONCECTOR-SHAFT COMPLETE	1	CWH08C1003
11	SHAFT	1	ACXH63-01530
*	12 BLOWER WHEEL ASSY	3	CWH01K1035
*	13 SHAFT-COMplete	1	ACXH63C00021
14	AIR GUIDER B.W.COMplete	3	ACXD32C00100
15	ADH. POLY-E. FOAM	1	ACXG12-33800
16	PARTICULAR PIECE-COMplete	1	ACXD93C03592
*	17 THERMISTOR (TA)	1	ACXA50C15630
18	RUBBER.RESIN OR VINYL	1	4690280
19	BUSHING	1	CWH51134
20	CABINET SIDE PLATE-COMplete	1	ACXE04C06580
21	CABINET SIDE PLATE-COMplete	1	ACXE04C06740
*	22 FIXED INDUCTORS	1	G0C332K00009
23	PARTICULAR PIECE	4	ACXD93-20240A
24	CABINET SIDE PLATE-COMplete	1	ACXE04C06590
25	CABINET SIDE PLATE-COMplete	1	ACXE04C06750
*	26 BEARING ASSY	1	ACXH64K00220
27	PARTICULAR PLATE	1	ACXD90-23750
28	PARTICULAR PLATE-COMplete	1	ACXD90C03930
29	FIN & TUBE EVAPORATER-COMplete	1	ACXB30C24611
30	ADH. POLY-E. FOAM	1	CWG123084
31	ADH. POLY-E. FOAM	1	CWG123085
*	32 THERMISTOR (OD 6.0) (E1)	1	ACXA50C15610
*	33 THERMISTOR (OD 4.2) (E2)	1	ACXA50C15620
34	PLATE SPRING	1	CWH711013
35	RAIN COVER	1	ACXH81-01510
36	PARTICULAR PLATE	1	ACXD90-23621
37	DRAIN NOZZLE	1	ACXH41-00600
*	38 PUMP	1	ACXB53-00711
*	39 OVER LOAD PROTECTOR	1	ACXA12-01031
40	FLEXIBLE PIPE-COMplete	1	CWH85C1119
41	PARTICULAR PLATE	1	ACXD90-23710
42	PARTICULAR PLATE-COMplete	1	ACXD90C03940
43	PUMP BRACKET	1	ACXD58-00230
44	CONTROL BOARD ASSY	1	ACXH10K02320
*	45 PC BOARD W/COMPONENT	1	ACXA73C58102
*	46 PARTICULAR PLATE	1	ACXD90-23650
47	PLUG	1	ACXB82-00710
48	TERMINAL BOARD	1	ACXA28-00140
49	TERMINAL BOARD ASSY	1	ACXA28K02560
50	CABINET BOTTOM PLATE	1	ACXE05-01600

NOTE: Metal and plastic parts will be supplied basically with necessary heat insulation pads or packing. Each key number with an asterisk (\*) means the recommended service parts.

**ATTENTION!**

To ensure correct parts supply, please let us know the following.

Part No. when you make service parts order:

**S-1014PF3E**

1.Part No. 2.Description 3.Q'ty 4.Volts-Hz-Ph 5.Product Model No.

**INDOOR UNIT**

KeyNo.	Description	Q'ty	Reference No.
51	DRAIN PAN-COMPLETE	1	ACXH40C01481
52	LEAD WIRE-COMPLETE	1	ACXA60C79400
53	BAND	3	ACXH88-00430
54	CABINET BOTTOM PLATE-COMPLETE	1	ACXE05C00360
55	EPT SEAL	1	CWD3A5-120
56	CONTROL BOARD COVER	1	ACXH13-08070
57	WIRING DIAGRAM (CS)	1	ACXF20-11050
58	L-SHAPED PLATE-COMPLETE	1	CWD60C1018
59	EPT SEAL	2	CWD3A8-150
60	RAIN COVER	1	ACXH81-01550
61	CABINET BOTTOM PLATE	1	ACXE05-01560
*	62 AIR FILTER	2	ACXD00-02690
	63 CABINET BOTTOM PLATE	1	ACXE05-01630
	64 BUSHING	1	CWH511150
	65 PARTICULAR PLATE	1	ACXD90-18790
	66 PARTICULAR PIECE	1	ACXD93-17040
	67 PARTICULAR PIECE	1	ACXD93-17050
	68 PLATE SPRING	1	CWH711010
	69 ADH. POLY-E. FOAM	2	ACXG12-32720
	70 ADH. POLY-E. FOAM	2	ACXG12-33350
	71 FOAMED STYRENE COMPLETE	1	ACXG07C00760
	72 FOAMED STYRENE COMPLETE	1	ACXG07C00750
	73 FOAMED STYRENE COMPLETE	1	ACXG07C00791
	74 PARTICULAR PLATE	1	ACXD90-23800
	75 PARTICULAR PLATE-COMPLETE	1	ACXD90C03960
	76 SCREW	3	ACXH55-07000
	77 FLEXIBLE PIPE	1	CWH851211
	78 WIRE SPRING	1	CWH722020
	79 ADH. POLY-E. FOAM	1	CWG123094
	80 ADH. POLY-E. FOAM	1	CWG123095
	81 ADH. POLY-E. FOAM	1	CWG123340
	82 PLAIN WASHER	8	XWH10J34FJ
	83 ADH. POLY-E. FOAM	2	CWG123386
	84 ADH. POLY-E. FOAM	2	CWG123098
	85 BAND	4	CWH881070
	- OPERATING INSTRUCTION	1	ACXF55-27531
	- INSTALLATION INSTRUCTION	1	ACXF60-39632

NOTE: Metal and plastic parts will be supplied basically with necessary heat insulation pads or packing. Each key number with an asterisk (\*) means the recommended service parts.