

Panasonic

Parts List

File No.

Air Conditioner

! RoHS

• This product does not contain any hazardous substances prohibited by the **RoHS** Directive.

! WARNING

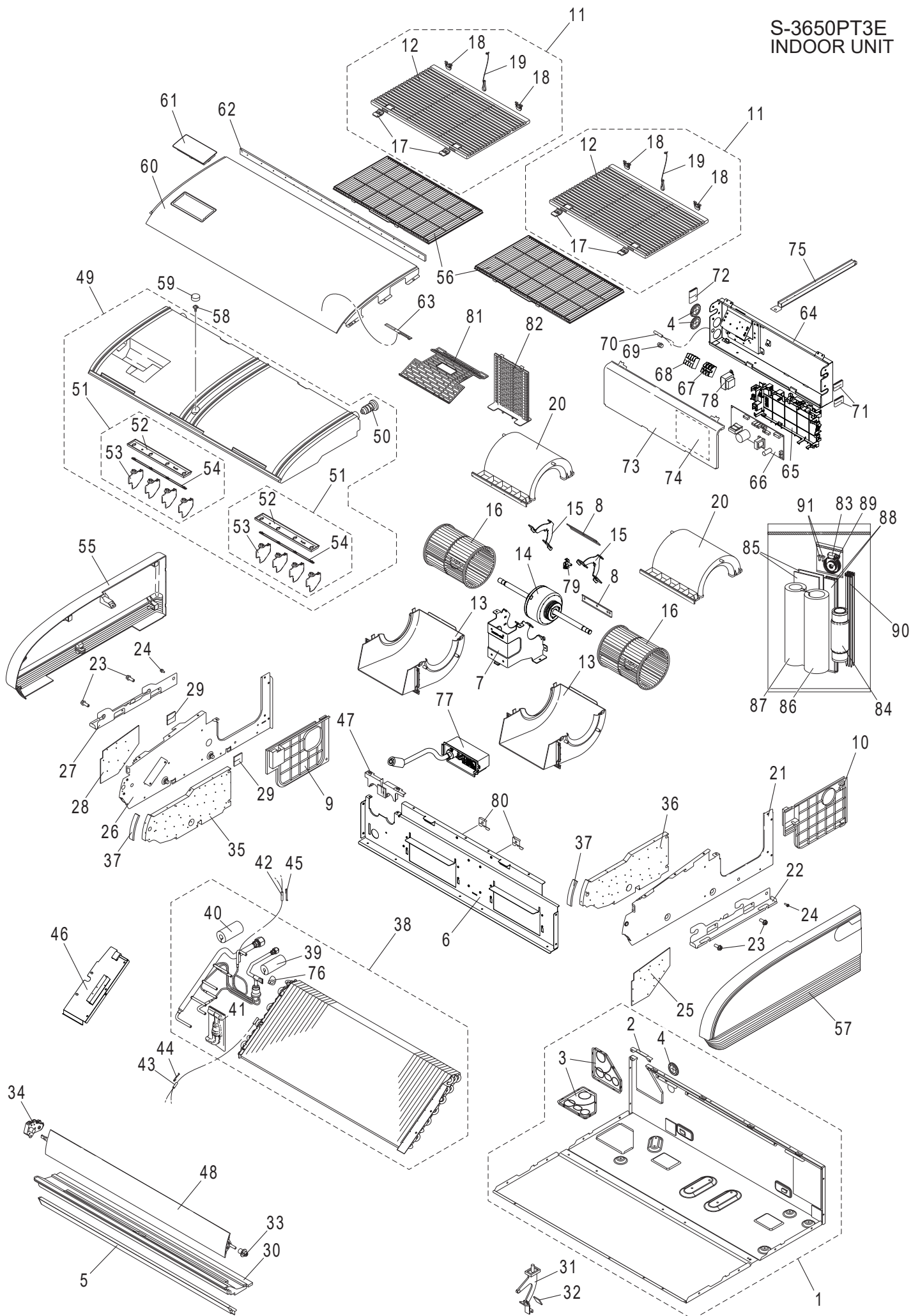
- You are requested to use **RoHS** compliant parts for maintenance or repair.
- You are requested to use lead-free solder.

REFERENCE No.PL 834818-00

—— CONTENTS ——

	Model No.	Page
INDOOR UNIT	S-3650PT3E	1
	S-6071PT3E	4
	S-1014PT3E	8

S-3650PT3E
INDOOR UNIT



ATTENTION!

To ensure correct parts supply, please let us know the following,

Part No. when you make service parts order:

1.Part No. 2.Description 3.Q'ty 4.Volts-Hz-Ph 5.Product Model No.

S-3650PT3E
INDOOR UNIT

KeyNo.	Description	Q'ty	Reference No.
1	CABINET TOP PLATE-COMplete	1	CWE03C1148
2	U-SHAPED PIECE	1	CWD721040
3	PARTICULAR PLATE	2	CWD912429
4	BUSHING	3	CWH51134
5	CABINET FRONT PLATE	1	CWE061341A
6	BULKHEAD	1	ACXD53-01740
7	FAN MOTOR BRACKET	1	ACXD54-04390
8	FAN MOTOR BRACKET	2	CWD541223
9	PARTICULAR PLATE	1	CWD912418
10	PARTICULAR PLATE	1	CWD912419
11	INTAKE GRILLE-COMplete	2	CWE22C1825
12	INTAKE GRILLE	1	CWE221374
13	AIR GUIDER B.W.	2	CWD321108
*	14 DC MOTORS (BRUSHLESS GENERAL USE)	1	L6CBYYYL0351
15	FAN MOTOR BRACKET	2	CWD541239
*	16 BLOWER WHEEL ASSY	2	CWH01K1038
17	LOCK	2	CWH891003
18	HINGE	2	CWH611001
19	STRING-COMplete	1	CWH84C1012
20	AIR GUIDER B.W.COMplete	2	CWD32C1035
21	CABINET SIDE PLATE ASSY	1	CWE04K1172
22	PARTICULAR PLATE	1	CWD912423A
23	SCREW	4	CWH551384
24	SCREW	2	CWH55406J
25	ADH. POLY-E. FOAM	1	CWG123351
26	CABINET SIDE PLATE ASSY	1	CWE04K1173
27	PARTICULAR PLATE	1	CWD912422A
28	ADH. POLY-E. FOAM	1	CWG123348
29	ADH.EPT SEAL	2	CWG321098
30	FOAMED STYRENE COMPLETE	1	CWG07C1080
*	31 BEARING-COMplete	1	CWH64C1009
32	ADH. POLY-E. FOAM	1	CWG123326
*	33 BEARING	1	CWH641020
*	34 GEAR-COMplete	1	CWH68C1091
35	ADH. POLY-E. FOAM	1	CWG123300
36	ADH. POLY-E. FOAM	1	CWG123299
37	SHEET	2	CWH861659
38	FIN & TUBE EVAPORATER-COMplete	1	ACXB30C12621
39	ADH. POLY-E. FOAM	1	CWG123084
40	ADH. POLY-E. FOAM	1	CWG123085
41	BUTYL TAPE	1	KG3AF140-140
*	42 THERMISTOR (E1) (OD 6.0)	1	ACXA50C14650
*	43 THERMISTOR (E2) (OD 4.2)	1	ACXA50C14660
44	PLATE SPRING	1	CWH711013
45	PLATE SPRING	1	CWH711010
46	PARTICULAR PLATE-COMplete	1	ACXD90C03720
47	PARTICULAR PLATE COMPLETE	1	CWD91C0209
48	VANE-COMplete	1	CWE24C1457
49	DRAIN PAN ASSY	1	CWH40K1048
50	PLUG	1	CWB821037

NOTE: Metal and plastic parts will be supplied basically with necessary heat insulation pads or packing. Each key number with an asterisk (*) means the recommended service parts.

ATTENTION!

To ensure correct parts supply, please let us know the following,

Part No. when you make service parts order:

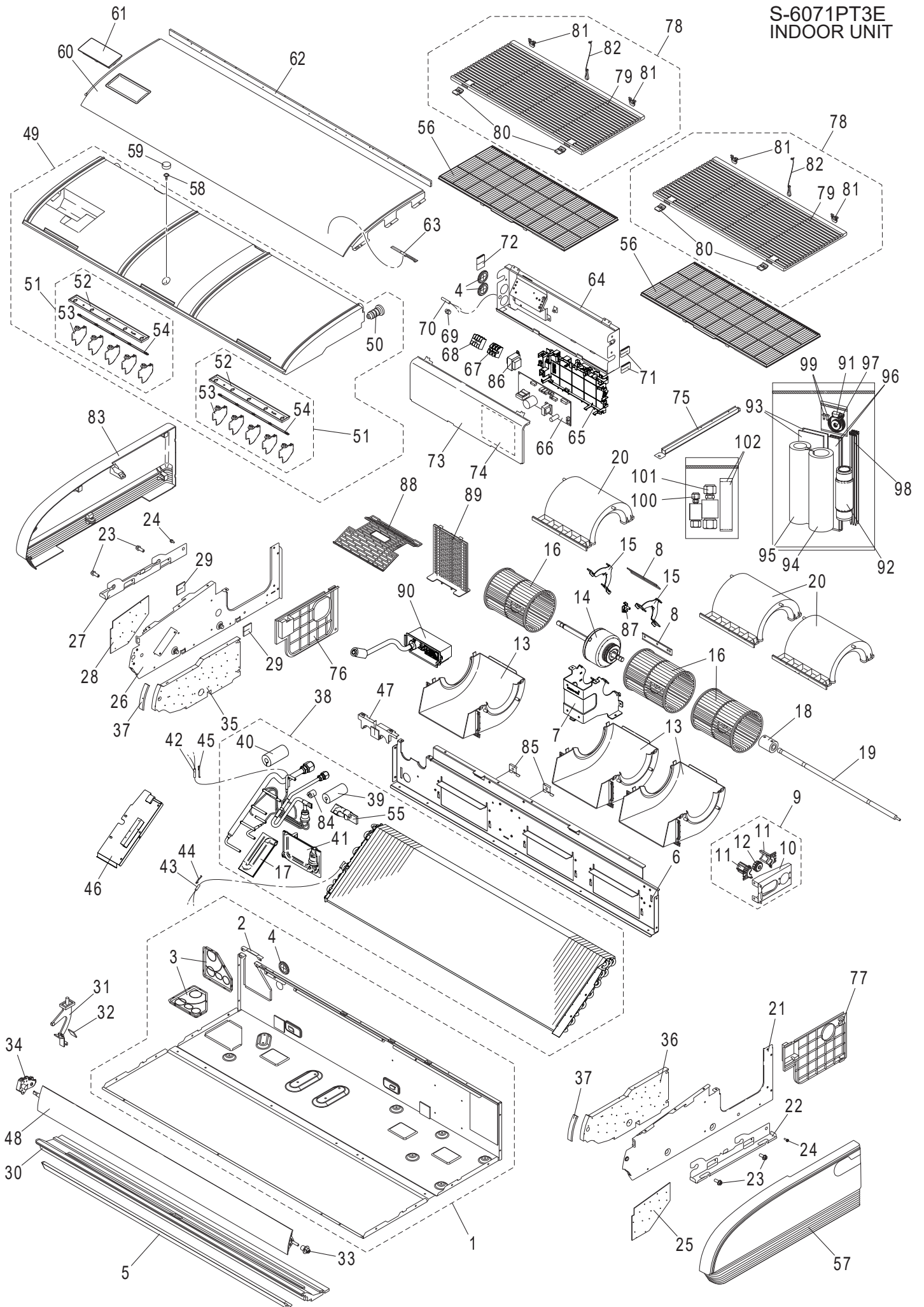
1.Part No. 2.Description 3.Q'ty 4.Volts-Hz-Ph 5.Product Model No.

S-3650PT3E
INDOOR UNIT

KeyNo.	Description	Q'ty	Reference No.
51	VANE-COMPLETE	2	CWE24C1478
52	PARTICULAR PLATE	1	CWD912420
53	VANE	4	CWE241419
54	CONNECTING BAR	1	CWE261286
55	CABINET SIDE PLATE	1	CWE041728
*	56 AIR FILTER	2	CWD001407
57	CABINET SIDE PLATE	1	CWE041727
58	SCREW-COMPLETE	1	CWH55C1042
59	POLY-E. FOAM	1	CWG101643
60	FRONT PANEL	1	CWE131053A
61	LAMP COVER	1	CWE361021
62	ADH. POLY-E. FOAM	1	CWG123329
63	BADGE	1	ACXE37-11450
64	CONTROL BOARD ASSY	1	ACXH10K02480
65	PARTICULAR PLATE	1	ACXD90-24700
*	66 PC BOARD W/COMPONENT (CR)	1	ACXA73C62551
*	67 TERMINAL BOARD ASSY	1	ACXA28K02710
68	TERMINAL BOARD	1	ACXA28-00140
69	RUBBER.RESIN OR VINYL	1	CW4690280
*	70 THERMISTOR (TA)	1	ACXA50C15900
71	ADH. POLY-E. FOAM	2	ACXG12-34540
72	ADH. POLY-E. FOAM	1	ACXG12-34550
73	CONTROL BOARD COVER	1	CWH131604
74	WIRING DIAGRAM (CS)	1	ACXF20-11350
75	U-SHAPED PLATE-COMPLETE	1	CWD62C1059
76	ADH. POLY-E. FOAM	1	CWG123371
*	77 PARTICULAR PLATE-COMPLETE	1	ACXD90C04450
*	78 FIXED INDUCTORS	1	G0C752M00001
79	PARTICULAR PIECE	1	ACXD93-22170
80	L-PIECE	2	CWD701170
81	WIRE NET.RESIN NET	1	CWD041195
82	WIRE NET.RESIN NET	1	CWD041197
83	WIRE SPRING	1	CWH722020
84	FLEXIBLE PIPE	1	CWH851211
85	ADH. POLY-E. FOAM	2	CWG123386
86	ADH. POLY-E. FOAM	1	CWG123337
87	ADH. POLY-E. FOAM	1	CWG123094
88	ADH. POLY-E. FOAM	2	CWG123098
89	WASHER	4	CWH571076
90	BAND	6	CWH881070
91	SELF TAPPING SCREW	2	XTT4+12CFJ
-	OPERATING INSTRUCTION	1	ACXF55-28660
-	INSTALLATION INSTRUCTION	1	ACXF60-41080

NOTE: Metal and plastic parts will be supplied basically with necessary heat insulation pads or packing. Each key number with an asterisk (*) means the recommended service parts.

S-6071PT3E
INDOOR UNIT



ATTENTION!

To ensure correct parts supply, please let us know the following,

Part No. when you make service parts order:

1.Part No. 2.Description 3.Q'ty 4.Volts-Hz-Ph 5.Product Model No.

S-6071PT3E
INDOOR UNIT

KeyNo.	Description	Q'ty	Reference No.
1	CABINET TOP PLATE-COMLETE	1	CWE03C1147
2	U-SHAPED PIECE	1	CWD721040
3	PARTICULAR PLATE	2	CWD912429
4	BUSHING	3	CWH51134
5	CABINET FRONT PLATE	1	CWE061340A
6	BULKHEAD	1	ACXD53-01751
7	FAN MOTOR BRACKET	1	ACXD54-04390
8	FAN MOTOR BRACKET	2	CWD541223
9	BEARING-COMLETE	1	ACXH64C00140
10	PARTICULAR PLATE	1	CWD912414
11	PARTICULAR PIECE	2	CWD933058
12	BEARING ASSY	1	ACXH64K00220
13	AIR GUIDER B.W.	3	CWD321108
*	14 DC MOTORS (BRUSHLESS GENERAL USE)	1	L6CBYYYL0350
15	FAN MOTOR BRACKET	2	CWD541239
*	16 BLOWER WHEEL ASSY	3	CWH01K1038
17	BUTYL TAPE	1	KG3AF140-140
18	CONCECTOR-SHAFT COMPLETE	1	CWH08C1003
19	SHAFT	1	ACXH63-01360
20	AIR GUIDER B.W.COMLETE	3	CWD32C1035
21	CABINET SIDE PLATE ASSY	1	CWE04K1172
22	PARTICULAR PLATE	1	CWD912423A
23	SCREW	4	CWH551384
24	SCREW	2	CWH55406J
25	ADH. POLY-E. FOAM	1	CWG123351
26	CABINET SIDE PLATE ASSY	1	CWE04K1173
27	PARTICULAR PLATE	1	CWD912422A
28	ADH. POLY-E. FOAM	1	CWG123348
29	ADH.EPT SEAL	2	CWG321098
30	FOAMED STYRENE COMPLETE	1	CWG07C1079
*	31 BEARING-COMLETE	1	CWH64C1009
32	ADH. POLY-E. FOAM	1	CWG123326
*	33 BEARING	1	CWH641020
*	34 GEAR-COMLETE	1	CWH68C1091
35	ADH. POLY-E. FOAM	1	CWG123300
36	ADH. POLY-E. FOAM	1	CWG123299
37	SHEET	2	CWH861659
38	FIN & TUBE EVAPORATER-COMLETE	1	ACXB30C12601
39	ADH. POLY-E. FOAM	1	CWG123084
40	ADH. POLY-E. FOAM	1	CWG123085
41	BUTYL TAPE	1	KG3AF120-360
*	42 THERMISTOR (E1) (OD 6.0)	1	ACXA50C14650
*	43 THERMISTOR (E2) (OD 4.2)	1	ACXA50C14660
44	PLATE SPRING	1	CWH711013
45	PLATE SPRING	1	CWH711010
46	PARTICULAR PLATE-COMLETE	1	ACXD90C03720
47	PARTICULAR PLATE COMPLETE	1	CWD91C0209
48	VANE-COMLETE	1	CWE24C1456
49	DRAIN PAN ASSY	1	CWH40K1047
50	PLUG	1	CWB821037

NOTE: Metal and plastic parts will be supplied basically with necessary heat insulation pads or packing. Each key number with an asterisk (*) means the recommended service parts.

ATTENTION!

To ensure correct parts supply, please let us know the following,

Part No. when you make service parts order:

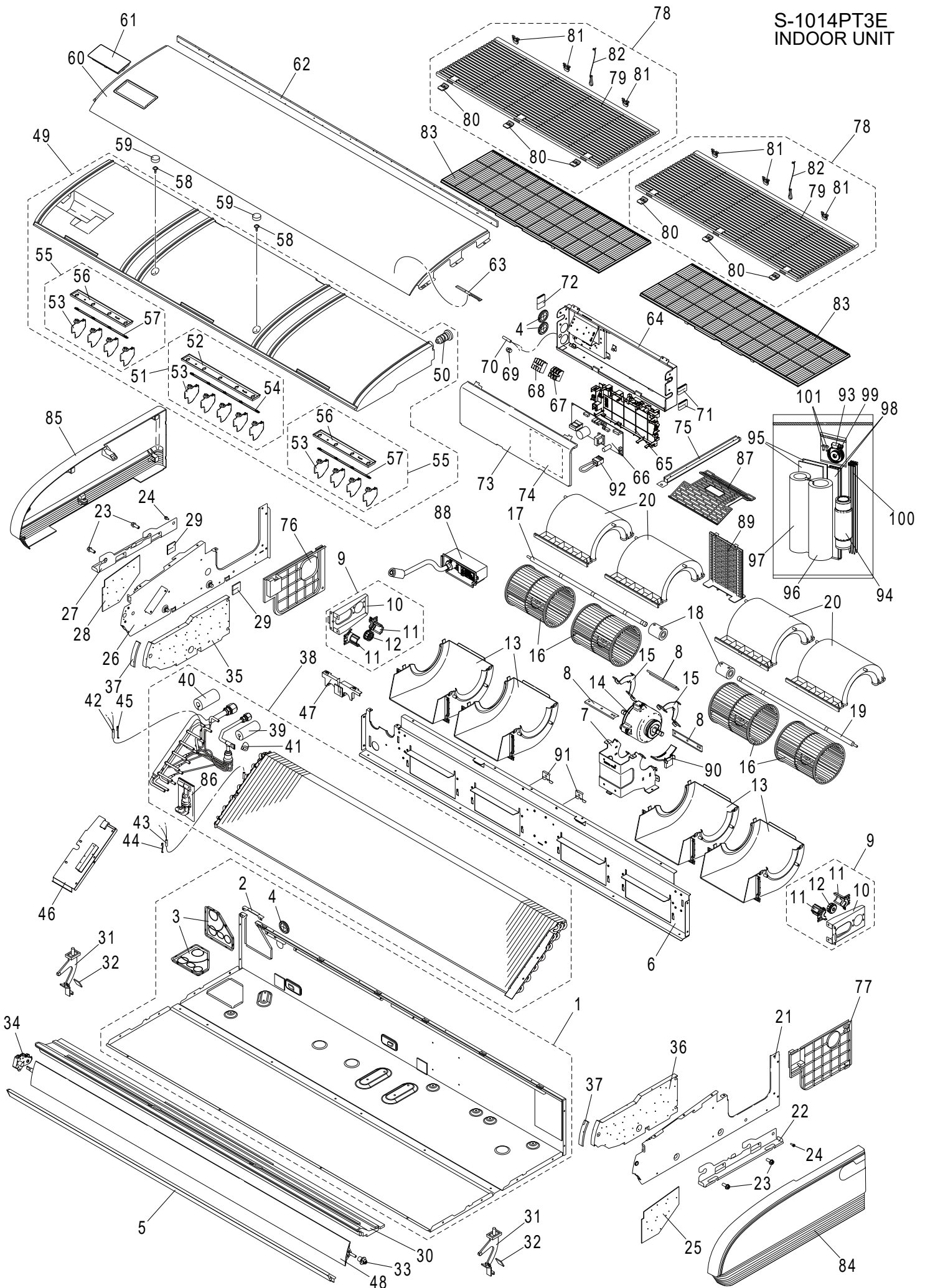
1.Part No. 2.Description 3.Q'ty 4.Volts-Hz-Ph 5.Product Model No.

S-6071PT3E
INDOOR UNIT

KeyNo.	Description	Q'ty	Reference No.
51	VANE-COMPLETE	2	CWE24C1473
52	PARTICULAR PLATE	1	CWD912421
53	VANE	5	CWE241419
54	CONNECTING BAR	1	CWE261287
55	BUTYL TAPE	1	KG3AF60-100
*	56 AIR FILTER	2	CWD001406
57	CABINET SIDE PLATE	1	CWE041727
58	SCREW-COMPLETE	1	CWH55C1042
59	POLY-E. FOAM	1	CWG101643
60	FRONT PANEL	1	CWE131052A
61	LAMP COVER	1	CWE361021
62	ADH. POLY-E. FOAM	1	CWG123328
63	BADGE	1	ACXE37-11450
64	CONTROL BOARD ASSY	1	ACXH10K02480
65	PARTICULAR PLATE	1	ACXD90-24700
*	66 PC BOARD W/COMPONENT (CR)	1	ACXA73C62561
*	67 TERMINAL BOARD ASSY	1	ACXA28K02710
68	TERMINAL BOARD	1	ACXA28-00140
69	RUBBER.RESIN OR VINYL	1	CW4690280
*	70 THERMISTOR (TA)	1	ACXA50C15900
71	ADH. POLY-E. FOAM	2	ACXG12-34540
72	ADH. POLY-E. FOAM	1	ACXG12-34550
73	CONTROL BOARD COVER	1	CWH131604
74	WIRING DIAGRAM (CS)	1	ACXF20-11350
75	U-SHAPED PLATE-COMPLETE	1	CWD62C1059
76	PARTICULAR PLATE	1	CWD912418
77	PARTICULAR PLATE	1	CWD912419
78	INTAKE GRILLE-COMPLETE	1	CWE22C1863
79	INTAKE GRILLE	1	CWE221373
80	LOCK	2	CWH891003
81	HINGE	2	CWH611001
82	STRING-COMPLETE	1	CWH84C1012
83	CABINET SIDE PLATE	1	CWE041728
84	ADH. POLY-E. FOAM	1	CWG123371
85	L-PIECE	2	CWD701170
*	86 FIXED INDUCTORS	1	G0C752M00001
87	PARTICULAR PIECE	1	ACXD93-22170
88	WIRE NET.RESIN NET	1	D041195
89	WIRE NET.RESIN NET	1	D041197
*	90 PARTICULAR PLATE-COMPLETE	1	ACXD90C04450
91	WIRE SPRING	1	CWH722020
92	FLEXIBLE PIPE	1	CWH851211
93	ADH. POLY-E. FOAM	2	CWG123386
94	ADH. POLY-E. FOAM	1	CWG123337
95	ADH. POLY-E. FOAM	1	CWG123094
96	ADH. POLY-E. FOAM	2	CWG123098
97	WASHER	4	CWH571076
98	BAND	6	CWH881070
99	SELF TAPPING SCREW	2	XTT4+12CFJ
100	TUBE ASSY-COMPLETE	1	ACXT00C30160

NOTE: Metal and plastic parts will be supplied basically with necessary heat insulation pads or packing. Each key number with an asterisk (*) means the recommended service parts.

S-1014PT3E
INDOOR UNIT



ATTENTION!

To ensure correct parts supply, please let us know the following,

Part No. when you make service parts order:

1.Part No. 2.Description 3.Q'ty 4.Volts-Hz-Ph 5.Product Model No.

S-1014PT3E
INDOOR UNIT

KeyNo.	Description	Q'ty	Reference No.
1	CABINET TOP PLATE-COMPLETE	1	CWE03C1146
2	U-SHAPED PIECE	1	CWD721040
3	PARTICULAR PLATE	2	CWD912429
4	BUSHING	3	CWH51134
5	CABINET FRONT PLATE	1	CWE061339A
6	BULKHEAD	1	ACXD53-01761
7	FAN MOTOR BRACKET	1	ACXD54-04380
8	FAN MOTOR BRACKET	3	CWD541223
* 9	BEARING-COMPLETE	2	ACXH64C00140
10	PARTICULAR PLATE	1	CWD912414
11	PARTICULAR PIECE	2	CWD933058
* 12	BEARING ASSY	1	ACXH64K00220
13	AIR GUIDER B.W.	4	CWD321108
* 14	DC MOTORS (BRUSHLESS GENERAL USE)	1	L6CBYYYYL0349
15	FAN MOTOR BRACKET	2	CWD541239
* 16	BLOWER WHEEL ASSY	4	CWH01K1038
17	SHAFT	1	ACXH63-01370
18	CONCECTOR-SHAFT COMPLETE	2	CWH08C1003
19	SHAFT	1	ACXH63-01360
20	AIR GUIDER B.W.COMPLETE	4	CWD32C1035
21	CABINET SIDE PLATE ASSY	1	CWE04K1172
22	PARTICULAR PLATE	1	CWD912423A
23	SCREW	4	CWH551384
24	SCREW	2	CWH55406J
25	ADH. POLY-E. FOAM	1	CWG123351
26	CABINET SIDE PLATE ASSY	1	CWE04K1173
27	PARTICULAR PLATE	1	CWD912422A
28	ADH. POLY-E. FOAM	1	CWG123348
29	ADH.EPT SEAL	2	CWG321098
30	FOAMED STYRENE COMPLETE	1	CWG07C1078
* 31	BEARING-COMPLETE	2	CWH64C1009
32	ADH. POLY-E. FOAM	2	CWG123326
* 33	BEARING	1	CWH641020
* 34	GEAR-COMPLETE	1	CWH68C1091
35	ADH. POLY-E. FOAM	1	CWG123300
36	ADH. POLY-E. FOAM	1	CWG123299
37	SHEET	2	CWH861659
38	FIN & TUBE EVAPORATER-COMPLETE	1	ACXB30C12581
39	ADH. POLY-E. FOAM	1	CWG123084
40	ADH. POLY-E. FOAM	1	CWG123085
41	ADH. POLY-E. FOAM	1	CWG123371
* 42	THERMISTOR (E1) (OD 6.0)	1	ACXA50C14650
* 43	THERMISTOR (E2) (OD 4.2)	1	ACXA50C14660
44	PLATE SPRING	1	CWH711013
45	PLATE SPRING	1	CWH711010
46	PARTICULAR PLATE-COMPLETE	1	ACXD90C03720
47	PARTICULAR PLATE COMPLETE	1	CWD91C0209
48	VANE-COMPLETE	1	CWE24C1455
49	DRAIN PAN-COMPLETE	1	CWH40C1102
50	PLUG	1	CWB821037

NOTE: Metal and plastic parts will be supplied basically with necessary heat insulation pads or packing. Each key number with an asterisk (*) means the recommended service parts.

ATTENTION!

To ensure correct parts supply, please let us know the following,

Part No. when you make service parts order:

1.Part No. 2.Description 3.Q'ty 4.Volts-Hz-Ph 5.Product Model No.

S-1014PT3E
INDOOR UNIT

KeyNo.	Description	Q'ty	Reference No.
51	VANE-COMPLETE	1	CWE24C1473
52	PARTICULAR PLATE	1	CWD912421
53	VANE	13	CWE241419
54	CONNECTING BAR	1	CWE261287
55	VANE-COMPLETE	2	CWE24C1478
56	PARTICULAR PLATE	1	CWD912420
57	CONNECTING BAR	1	CWE261286
58	SCREW-COMPLETE	2	CWH55C1042
59	POLY-E. FOAM	2	CWG101643
60	FRONT PANEL	1	CWE131051A
61	LAMP COVER	1	CWE361021
62	ADH. POLY-E. FOAM	1	CWG123316
63	BADGE	1	ACXE37-11450
64	CONTROL BOARD ASSY	1	ACXH10K02480
65	PARTICULAR PLATE	1	ACXD90-24700
*	66 PC BOARD W/COMPONENT (CR)	1	ACXA73C62571
*	67 TERMINAL BOARD ASSY	1	ACXA28K02710
68	TERMINAL BOARD	1	ACXA28-00140
69	RUBBER.RESIN OR VINYL	1	CW4690280
*	70 THERMISTOR (TA)	1	ACXA50C15900
71	ADH. POLY-E. FOAM	2	ACXG12-34540
72	ADH. POLY-E. FOAM	1	ACXG12-34550
73	CONTROL BOARD COVER	1	CWH131604
74	WIRING DIAGRAM (CS)	1	ACXF20-11350
75	U-SHAPED PLATE-COMPLETE	1	CWD62C1059
76	PARTICULAR PLATE	1	CWD912418
77	PARTICULAR PLATE	1	CWD912419
78	INTAKE GRILLE-COMPLETE	2	CWE22C1823
79	INTAKE GRILLE	1	CWE221372
80	LOCK	3	CWH891003
81	HINGE	3	CWH611001
82	STRING-COMPLETE	1	CWH84C1012
*	83 AIR FILTER	2	CWD001405
84	CABINET SIDE PLATE	1	CWE041727
85	CABINET SIDE PLATE	1	CWE041728
86	BUTYL TAPE	1	KG3AF140-140
87	WIRE NET.RESIN NET	1	CWD041204
*	88 PARTICULAR PLATE-COMPLETE	1	ACXD90C04450
89	WIRE NET.RESIN NET	1	CWD041197
90	PARTICULAR PIECE	1	ACXD93-22160
91	L-PIECE	2	CWD701170
*	92 LEAD WIRE-COMPLETE	1	ACXA60C83650
93	WIRE SPRING	1	CWH722020
94	FLEXIBLE PIPE	1	CWH851211
95	ADH. POLY-E. FOAM	2	CWG123386
96	ADH. POLY-E. FOAM	1	CWG123337
97	ADH. POLY-E. FOAM	1	CWG123094
98	ADH. POLY-E. FOAM	2	CWG123098
99	WASHER	4	CWH571076
100	BAND	6	CWH881070

NOTE: Metal and plastic parts will be supplied basically with necessary heat insulation pads or packing. Each key number with an asterisk (*) means the recommended service parts.

